



HIGH PERFORMANCE CAR AUDIO

**ORION**<sup>™</sup>



*Amplifier*

MODEL

**C03002**

**C06002**

**OWNER'S MANUAL**

# TABLE OF CONTENTS

English .....	1
Français .....	15
Español .....	25
Deutsch .....	35
Italiano .....	45
Português .....	55
Introduction .....	2
What's in the Box .....	2
Practice Safe Sound™ .....	2
Tools of the Trade .....	3
End Panel Layouts .....	3
CEA Specifications .....	5
Amplifier Settings .....	5
Signal Input and Output Configurations .....	5
Input Gain .....	5
Internal Crossover .....	6
Low Pass Crossover .....	6
High Pass Crossover .....	6
Amplifier Wiring .....	6
Power Connections for the Orion Cobalt CO3002 and CO6002 .....	6
Speaker Connections .....	6
Tri-mode .....	7
Bridging .....	7
Amplifier Installation .....	7
Choosing Mounting Locations .....	7
Passenger Compartment .....	8
Trunk Compartment .....	8
General Precautions and Installation Tips .....	8
Step By Step Installation .....	9
Set Up and Troubleshooting .....	9
Testing the System .....	9
Adjusting the Sound of the System .....	10
Troubleshooting Tips .....	11
Specifications .....	13
Warranty .....	Back cover

# INTRODUCTION

Thank you for your purchase of a Orion Cobalt power amplifier. Each Orion Cobalt amplifier is designed to be the leader in its class offering the most power, advanced features, and extreme ease of use. In high-end sound systems or high SPL systems, Orion Cobalt amplifiers will give you years of trouble-free performance.

- **CO3002 - 150 Watt** - two-channel Class A/B amplifier with built-in fully variable high and low-pass crossover. The CO3002 is capable of one-channel operation with a maximum power of 300 W into 4 ohms.
- **CO6002 - 300 Watt** - two-channel Class A/B amplifier with built-in fully variable high and low-pass crossover. The CO6002 is capable of one-channel operation with a maximum power of 600 Watts into 4 ohms.

The installation of all Orion Cobalt components will determine the overall performance result. Improper installation will not only limit the performance of your Orion Cobalt system but also potentially compromise the reliability of this amplifier. To ensure proper sonic results and component reliability, please refer to your authorized dealer for installation assistance or advice. If you decide to perform the installation yourself, be sure to read the entire manual before beginning the installation.

## WHAT'S IN THE BOX

- (1) Amplifier
- (4) #8 self-tapping black Phillips head pan head screws
- (1) Amplifier installation and operation manual

## PRACTICE SAFE SOUND™

Continuous exposure to sound pressure levels over 100dB may cause permanent hearing loss. High power automotive sound systems can generate sound pressure levels in excess of 130dB. When playing your system at high levels, please use hearing protection and avoid long term exposure.

Model: \_\_\_\_\_

Serial Number: \_\_\_\_\_

Date of Purchase: \_\_\_\_\_

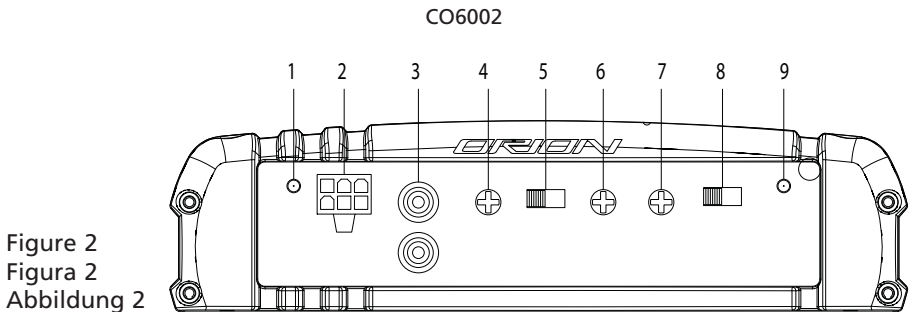
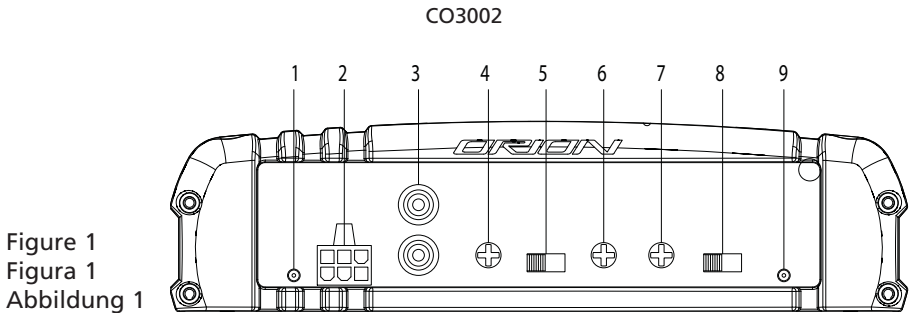
# TOOLS OF THE TRADE

Listed next are the majority of the tools required to perform an installation. Having the proper tools will make the installation that much easier. Some of these tools are necessities; some will just make the job easier.

- Allen Wrenches (2mm, 3mm and 4mm)
- Electric drill with assorted drill bits
- Heat shrink tubing
- Phillips and flat blade screw drivers
- Pliers (standard and needle nose)
- RTA (real time analyzer)
- Soldering iron and solder
- Utility knife
- Wire brush or sandpaper for chassis grounding
- Reference CD with 1 kHz Sine Wave at 0dB level (all bits high)
- DMM or VOM
- Grommets
- Marking pen
- Nylon tie straps
- Wire crimper
- Wire cutters
- Wire strippers

## END PANEL LAYOUTS

### Input Plate



1. **Power LED** - When lit indicates that the amplifier is on.
2. **High Level Input** - Connect speaker output from factory radio to amplifier, will auto sense signal from radio and turn amplifier on when needed, turn off after 1 minute

without signal.

3. **RCA Inputs** - Accepts RCA input from a source unit, preamplifier, or equalizer.
4. **Gain Control** - Continuously adjusts from 175mV to 8V input to obtain full power output.
5. **HPF, FULL, LPF Switch** - Selects either Hi-pass crossover, Full range, or Lo-pass crossover.
6. **Lo-Pass Frequency Control** - Adjusts the frequency of the crossover.
7. **Hi-Pass Frequency Control** - Adjusts the frequency of the crossover.
8. **Bass Boost Switch** - Adjusts bass gain in three steps (0dB, 6dB, & 12dB).
9. **Status LED** - Will indicate any fault condition in amplifier, also lights briefly during muting phase of turn-on

## Output Plate

CO3002

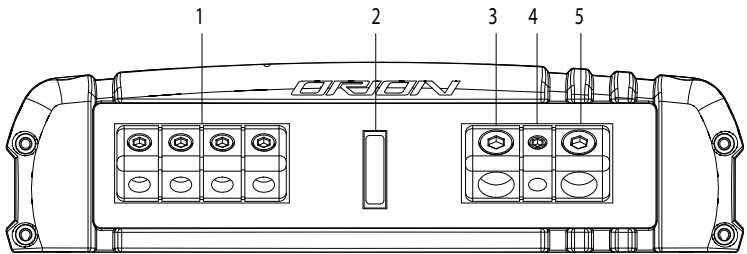


Figure 3  
Figura 3  
Abbildung 3

CO6002

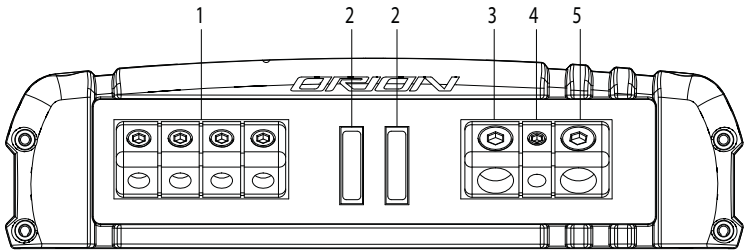


Figure 4  
Figura 4  
Abbildung 4

1. **Speaker Connections** - accepts up to 12 AWG speaker wire.
2. **1 ATC Fuse (CO3002) - 2 ATC Fuses (CO6002)** - protects the amplifier from over current situations.
3. **Power Connections** - accepts up to 4 AWG power cables.
4. **REM Remote Turn-on Input** - turns on the amplifier when fed 12 V+.
5. **Ground Connection** - accepts up to 4 AWG ground cable.

# CEA SPECIFICATIONS

## CO3002



Power Output: 60 Watts RMS x 2 at 4 ohms and < 1% THD+N  
Signal to Noise Ratio: -75 dBA (reference Watt into 4 ohms)  
Additional Power: 80 Watts RMS x 2 at 2 ohm and < 1% THD+N

## CO6002



Power Output: 100 Watts RMS x 2 at 4 ohms and < 1% THD+N  
Signal to Noise Ratio: -75 dBA (reference Watt into 4 ohms)  
Additional Power: 155 Watts RMS x 2 at 2 ohm and < 1% THD+N

## HIGH LEVEL HARNESSES

Do not connect the high level input connections to power, signal, or chassis ground as damage to the head-unit outputs may result. The high-level inputs are designed to work with either grounded or BTL speaker level outputs (found on most head units).

### HIGH LEVEL CONNECTIONS

WIRE COLOR	INPUT CONNECTION
Black	Ground
White/Black	- Left channel
White	+ Left channel
Gray/Black	- Right channel
Gray	+ Right channel

## AMPLIFIER SETTINGS

### Signal Input and Output Configurations

The input section of the amplifier consists of a phase switch that sets the output configuration, gain controls, and RCA inputs. The input section makes it easy to adapt this amplifier to most system configurations.

### Input Gain

The Orion Cobalt CO3002 and CO6002 amplifiers have level adjustments to allow for easy integration with any source unit. The input sensitivity can be adjusted from 175mV to 8V. Refer to *Testing the System* and *Adjusting the Sound of the System* sections of this guide for detailed instructions on setting the gain.

## Internal Crossover

The crossover section of the Orion Cobalt CO3002 and CO6002 amplifiers is continuously variable and extremely flexible.

When using Orion Cobalt loudspeakers, minor deviations from the recommended frequency ranges can provide superior results depending on your speaker locations and your vehicle acoustics. Setting crossover frequencies higher than recommended will not cause damage and may provide superior sonic results depending on your system's performance goals. Refer to your loudspeaker owner's manual for assistance in choosing the proper crossover frequencies for your system.

## Low-Pass Crossover

The low-pass crossover is active with a 2nd order (12dB per octave) slope. The low-pass crossover is continuously variable from 50Hz to 500Hz.

## High-Pass Crossover

When the switch is to the left (FULL position), the high-pass crossover is bypassed. When the switch is to the right (HPF position), the high-pass crossover is active. The high-pass crossover is continuously variable from 50Hz to 500Hz.

# AMPLIFIER WIRING

## Power Connections for the Orion Cobalt CO3002 and CO6002

- Orion Cobalt CO3002 Fuse Size: 1 x 25 AMP ATC / CO6002 Fuse Size: 2 x 20 AMP ATC
- Power connections accept up to 4 AWG wire.
- 4 AWG power and ground wire recommended for optimal performance.
- Connect 12V+ to the battery through fuse holder. This connection provides +12V main power to the amplifier.
- Power wire must be fused no more than 18" from battery.
- Ground amplifier to a good chassis ground as close as possible to the amplifier.
- Connect REM terminal to remote turn-on lead from source unit. This connection provides +12V power to turn-on the amplifier.
- Add extra ground wire between the negative terminal of the battery and the chassis.

## Speaker Wiring Diagram CO3002/CO6002

The Orion Cobalt CO3002 and CO6002 amplifiers offer two positive and two negative output terminals for ease of connecting the speakers to the amplifier. Each amplifier is stable to 2Ω per channel or 4 ohm bridged .

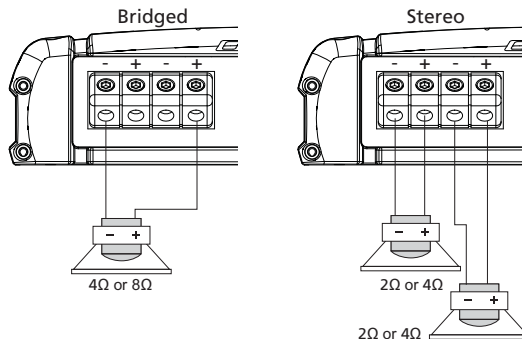


Figure 5  
Figura 5  
Abbildung 5

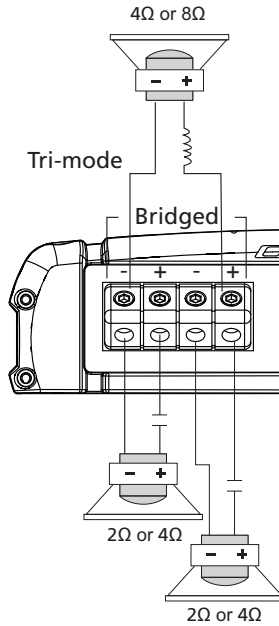


Figure 6  
 Figura 6  
 Abbildung 6

### Tri-mode

For Tri-mode wiring the high frequency speakers should be run in stereo and use a passive in line crossover (capacitor) with each to remove the low frequency. The mono low frequency speaker would be connected in the bridge mode to the two stereo channels with a in line passive crossover (inductor) to remove the high frequencies. The high frequency speakers should be no less than 2 ohms and the low frequency speaker should be no less than 4 ohms.

### Bridging

For bridging into a single speaker load, the Orion Cobalt CO3002 and CO6002 has the ability to bridge the front or rear channels together. The impedance of the speaker must not be less than 4Ω

## AMPLIFIER INSTALLATION

### Choosing Mounting Locations

The location of your amplifier will depend on several important issues. Due to the low profile size of the Orion Cobalt amplifiers, there are many possible installation locations that will yield satisfactory amplifier performance. Always mount the amplifier in a place that protects the amplifier from the elements. In addition, mount the amplifier on a stable, flat surface.

**NOTE:** Mounting amplifiers upside down is not recommended and may cause premature thermal shutdown.

**WARNING!** Do not mount any amplifier in the engine compartment. Amplifiers are not designed to endure the harsh environment of the exterior elements.



## Passenger Compartment

If you are going to mount the amplifier in the passenger compartment, make sure you have adequate room for ventilation. The amplifiers have been designed to make under-seat mounting possible. When mounting your amplifier under a seat or similar area, keep a minimum of 1" of clearance around the amplifier for adequate cooling.

## Trunk Compartment

Mounting your amplifier in the trunk provides excellent performance as long as you do not restrict the airflow around the heatsink of the amplifier. For optimal results, mount the amplifier with as much clearance as possible. This type of mounting will yield the best cooling due to the convection effect of the amplifier chassis.

## General Precautions and Installation Tips

**WARNING!** Be careful not to cut or drill into gas tanks, fuel lines, brake lines, hydraulic lines, vacuum lines, or electrical wiring when working on your vehicle.

Disconnect the vehicle's ground wire at the battery before making or breaking connections to the audio system's power supply terminals.

Do not use this amplifier unmounted. Failing to securely mount the amplifier can result in damage or injury, particularly in the event of an accident. An unmounted amplifier becomes a dangerous projectile in the event of a crash. Never mount the amplifier where it might get wet. Mount the amplifier so the wire connections will not be pulled. Route the wires where they will not be scraped, pinched or damaged in any fashion.

The +12V power supply wire must be fused as close as possible to the battery terminal, ideally within 18". Use the recommended fuse size or circuit breaker listed in the *Power Connections* section of this manual.

If you need to replace the fuse plugged into the side of the amplifier, replace the fuse with the same size ATC / MAXI type fuse that came with the amplifier. If you are not sure as to the correct value, refer to the *Power Connections* section of this manual for details. Using a higher current fuse may result in damage to the amplifier that is not covered under warranty.

**NOTE:** Make sure all the equipment in the system is turned off when making or breaking connections to the input RCAs or speaker terminals. Turn on the system and slowly turn up the volume control only after double checking all wire connections.

Power for systems with a single amplifier can be supplied by most automotive electrical systems. Systems with multiple amplifiers may require a higher capacity battery, alternator or the use of a storage capacitor. We strongly recommend the use of a Directed Audio Essentials power capacitor with an extra battery in larger stereo systems.

Orion Cobalt amplifiers generate a certain amount of heat as part of normal operation. Be sure the area around the amplifier is unobstructed to allow adequate air circulation. Remember, beach blankets, last week's laundry, school books and homework papers located on top of the amplifier do not improve air flow and may become damaged.

## Step By Step Installation

- Step 1 Determine the location for the amplifier. Refer to the *Choosing Mounting Locations* section of this guide for detailed information.
- Step 2 Decide on the system configuration for your amplifier. For system suggestions, refer to the *Speaker Connections* section of this guide.

- Step 3 Run all the wires from the amplifier location to the speakers, source unit, and battery. Do not connect the battery at this time. Be sure to run RCAs and power and speaker wires away from factory electrical wires and system as they pose a great potential for induced system noise.
- Step 4 Pre-drill amplifier mounting holes. Be sure to "think before you drill". Gas tanks, fuel lines, and other obstructions have a nasty way of hiding themselves. For best results use a marking pen to mark the mounting holes and pre-drill these holes with a standard 1/8" drill bit.
- Step 5 Mount the amplifier. Make sure the amplifier is mounted on a flat surface. If this is not possible, do not over tighten the screws so that the chassis of the amplifier is twisted or bent.
- Step 6 Turn the vehicle's key switch to the off position.
- Step 7 Disconnect the vehicle's battery ground terminal.
- Step 8 Connect power wires to the amplifier (ground first, then 12 V(+) and REM).
- Step 9 Connect the RCA and speaker wires to the amplifier. Check the quality of your speakers and signal connections. This will determine the ultimate performance of your Orion Cobalt amplifier. Refer to the *Signal Input and Output Level Controls* and *Speaker Connections* sections of this guide for correct wiring instructions.
- Step 10 Reconnect the ground terminal to the battery after power, speaker, and RCA connections are completed.
- Step 11 Set crossovers. Refer to the *Internal Crossover Configuration* section of this manual for detailed instructions.
- Step 12 Once satisfied that all connections and settings are correct, install the fuse located near the vehicle's battery and proceed to the *Testing the System* section of this manual.

**WARNING!** Never exceed the recommended fuse size of this amplifier. Failure to do so will result in the voiding of your warranty and possible damage to the amplifier.

## SET UP AND TROUBLESHOOTING

### Testing the System

After you have completed the installation, you need to test the system. This will help ensure years of trouble-free operation. Please refer to the listed steps below when testing the sound of your Orion Cobalt system.

- Step 1 Check all the wiring connections to be sure they are correct and secure.
- Step 2 Turn the signal source volume control all the way down. Set any tone controls to their flat or defeated positions. This includes the loudness control.
- Step 3 Turn the level controls of the amplifier to their minimum positions.
- Step 4 Turn the source unit on. Check to see if the power LED located on the input side of the amplifier is on. If not, please refer to the *Power Connections* and the *Troubleshooting Tips* sections of this manual for instructions.
- Step 5 If using an aftermarket source unit, turn the level controls of the amplifier about one quarter of a turn. Slowly increase the volume level of the source unit to so that you can hear the output of the system. If no sound is heard or if the output is distorted, turn the system off immediately. Refer to the *Power Connections* and the *Troubleshooting Tips* sections of this manual to solve your installation problems.
- Step 6 Check to make sure the output for each channel is correct. If the active crossovers

are used, check to make sure that each output is correct from the amplifier. When using active crossovers on midrange and tweeters, do not use crossover frequencies lower than recommended. If the system is not configured properly, refer to the *Internal Crossover Configuration* section of this manual and take corrective action.

- Step 7 If the output is clear and undistorted, continue to the *Adjusting the Sound of the System* section of this manual.

## Adjusting the Sound of the System

Once you have checked the system's operation, adjust the sound of the system. Adjusting the sound of the system is accomplished by setting the level controls and adjusting the internal crossovers.

- Step 1 Turn the signal source volume control all the way down. Set any tone controls to their flat or defeated positions. This includes the loudness control.
- Step 2 Turn the level controls of the amplifier to their minimum positions.
- Step 3 Choose music with high dynamic content that you like, with which you are familiar, and will be used most often in the system.
- Step 4 Turn the source unit's volume control up to its highest undistorted output level. If you lack test equipment, this point occurs between 3/4 to full volume depending on the quality of your source unit. Listen for any audible distortion. If any distortion is audible, reduce the volume of the source unit until you have an undistorted output. Leave the volume control at this position during your system tuning.
- Step 5 While listening to your chosen dynamic music, turn up the level control corresponding to the midrange output until you hear slight distortion and turn the level control back slightly for an undistorted output. Depending on your system, the midrange and tweeter output may be on the same output channels.
- Step 6 Turn up the level control corresponding to the tweeter output until you hear slight distortion and turn back the level control slightly for an undistorted output. Depending on your system the midrange and tweeter output may be on the same output channels.
- Step 7 Fine-tune the output level between midrange and tweeters. Refer to the *Internal Crossover Configuration* section of this manual for detailed instructions.
- Step 8 Repeat Steps 5-7 for the rear speakers. If you do not have rear speakers continue to Step 10.
- Step 9 Set levels between the front and rear midrange and tweeters for optimum front/rear balance.
- Step 10 Turn up the level control corresponding to the woofer output until you hear slight distortion and turn back the level control slightly for an undistorted output.
- Step 11 Fine-tune the output level between satellite speakers and the woofers. Refer to the *Internal Crossover Configuration* section of this manual for detailed instructions.
- Step 12 Enjoy your awesome Orion Cobalt sound system.

## Troubleshooting Tips

Symptom	Probable Cause	Action To Take
No output		
	Low or no remote turn-on	Check remote turn-on voltage at voltage amplifier and repair as needed.
	Fuse blown	Check power wire's integrity and check for speaker shorts. Fix as needed and replace fuse.
	Power wires not connected	Check power wire and ground connections and repair or replace as needed.
	Audio input not connected.	Check RCA connections and repair or replace as needed.
	Speaker wires not connected	Check speaker wires and repair or replace as needed.
	Speaker are blown	Check system with known working speaker and repair or replace speakers as needed.
Audio cycles on and off		
	Thermal protection engages when amplifier heat sink temperature exceeds 50° C (122° F)	Make sure there is proper ventilation for amplifier and improve ventilation as needed.
	Loose or poor audio input	Check RCA connections and repair or replace as needed.
	Loose power connections	Check power wires and ground connections and repair or replace as needed.
Distorted output		
	Amplifier level sensitivity set too high exceeding maximum capability of amplifier	Readjust gain. Refer to the <i>Adjusting the Sound of the System</i> section of this manual for detailed instructions.
	Impedance load to amplifier too low	Check speaker impedance load, if below 2Ω, rewire the speakers to achieve higher impedance.
	Shorted speaker wires	Check speaker wires and repair or replace as needed.
	Speaker not connected to amplifier properly.	Check speaker wires and repair or replace as needed. Refer to the <i>Speaker Connections</i> section of this manual for detailed instructions
	Internal crossover not set properly for speakers	Readjust crossovers. Refer to the <i>Internal Crossover Configuration</i> section of this manual for detailed instructions.
	Speakers are blown	Check system with known working speakers and fix or replace as needed.
Poor bass response		
	Speakers wired with wrong polarity causing cancellation at low frequencies.	Check speaker polarity and fix as needed.

<b>Symptom</b>	<b>Probable Cause</b>	<b>Action To Take</b>
Poor bass response		
	Crossover set incorrectly	Reset crossovers. Refer to the <i>Internal Crossover Configuration</i> section of this manual for detailed instructions.
	Impedance load at amplifier is too low.	Check speaker impedance load if below $2\Omega$ , rewire speakers to achieve higher impedance .
Battery fuse blowing		
	Short in power wire or incorrect wiring.	Check power wires and ground connections and repair or replace as needed.
	Fuse used is smaller than recommended.	Replace with proper fuse size.
	Actual current exceeds fuse rating.	Check speaker impedance load if below $2\Omega$ , rewire speakers to achieve higher impedance .
Amplifier fuse blowing		
	Fuse used is smaller than recommended.	Replace with proper fuse size.
	Impedance load at amplifier is too low.	Check speaker impedance load if below $2\Omega$ , rewire speakers to achieve higher impedance .
	Speaker is blown with shorted outputs	Check system with known working speakers and fix or replace as needed.
	Actual current exceeds fuse rating	Check speaker impedance load if below $2\Omega$ , rewire speakers to achieve higher impedance .

# SPECIFICATIONS

<b>Amplifier Section</b>	<b>CO3002</b>	<b>CO6002</b>
Power Output in Watts RMS, 4 Ohms	60 x 2	100 x 2
Power Output in Watts RMS, 2 Ohms	80 x 2	155 x 2
Distortion at Rated Power	< 0.5% THD+N	< 0.7% THD+N
Frequency Response	20Hz to 30kHz +/-0.5dB	20Hz to 30kHz +/-0.5dB
Linear Bandwidth	20Hz to 20kHz ±3dB	20Hz to 20kHz ±3dB
Damping Factor	> 100	> 100
Input Sensitivity	175mV - 8V	175mV - 8V
Input Impedance	> 15kΩ	> 10kΩ
Fuse Type	(1) 25 Amp, ATC	(2) 20 Amp, ATC
Dimensions	2.1" x 8.1" x 7.9"	2.1" x 8.1" x 11.4"
Weight	4.5 lbs.	6.3 lbs.
<b>Crossover Section</b>		
Low Pass and Hi-pass crossover	Continuously variable/ 2nd Order	Continuously variable/ 2nd Order
Crossover Frequency Range	50Hz to 500Hz	50Hz to 500Hz

Continuous 2Ω load 20Hz to 200Hz, < 0.1% THD, with input voltage at 13.8VDC



## AGENCEMENT DES PANNEAUX D'EXTRÉMITÉ

### Panneau d'entrée (CO3002 figure 1, CO6002 figure 2)

1. **DEL d'alimentation** - Allumée, indique que l'amplificateur est en marche.
2. **Entrée haut niveau** - Raccorde la sortie du haut-parleur de la radio d'origine à l'amplificateur, détecte le signal de la radio et allume l'amplificateur au besoin, l'éteint après une minute sans signal.
3. **Entrées RCA** - Acceptent entrées RCA d'une source, un préamplificateur ou un compensateur.
4. **Contrôle de gain** - Ajuste continuellement l'entrée de 175 mV à 8 V pour une sortie à pleine puissance.
5. **Commutateur HPF, FULL, LPF** - Pour choisir la répartition passe-haut, pleine gamme ou passe-bas.
6. **Contrôle de fréquence passe-bas** - Ajuste la fréquence du répartiteur.
7. **Contrôle de fréquence passe-haut** - Ajuste la fréquence du répartiteur.
8. **Commutateur d'amplification des basses** - Ajuste les basses à trois niveaux (0 dB, 6 dB et 12 dB).
9. **DEL d'état** - Indique tout problème avec l'amplificateur, s'allume brièvement durant la phase silencieuse de la mise en marche.

Diagramme de référence: page 3

### Panneau de sortie (CO3002 figure 3, CO6002 figure 4)

1. **Raccords de haut-parleurs** - Accepte du câble de haut-parleur jusqu'à 12 AWG.
2. **1 fusible ATC (CO3002) / 2 fusibles ATC (CO6002)** - pour protéger l'amplificateur contre les surcharges.
3. **Raccords d'alimentation** - Accepte du câble d'alimentation jusqu'à 4 AWG.
4. **Entrée d'allumage à distance REM** - Allume l'amplificateur sur réception de 12 V+.
5. **Raccord de mise à la masse** - Accepte du câble de mise à la masse jusqu'à 4 AWG.

Diagramme de référence: page 4



# SPÉCIFICATIONS DE L'ACE

CO3002



Sortie: 60 Watts RMS x 2 à 4 ohms, taux d'harmoniques et bruit < 1%  
Rapport signal/bruit: -75 dBA (référence 1 Watt dans 4 ohms)  
Sortie additionnelle: 80 Watts RMS x 2 à 2 ohms, taux d'harmoniques et bruit < 1%

CO6002



Sortie: 100 Watts RMS x 2 à 4 ohms, taux d'harmoniques et bruit < 1%  
Rapport signal/bruit: -75 dBA (référence 1 Watt dans 4 ohms)  
Sortie additionnelle: 155 Watts RMS x 2 à 2 ohms, taux d'harmoniques et bruit < 1%

## FAISCEAUX À HAUT NIVEAU

Ne raccordez pas les entrées à haut niveau à l'alimentation, au signal ou à la masse: cela pourrait endommager les sorties de l'unité de tête. Les entrées à haut niveau sont conçues pour être utilisées avec des sorties de haut-parleurs BTL ou mises à la masse (disponibles sur la plupart des unités de tête).

### RACCORDS À HAUT NIVEAU

COULEUR DU FIL	RACCORD D'ENTRÉE
Noir	Mise à la masse
Blanc/noir	- Canal gauche
Blanc	+ Canal gauchel
Gris/noir	- Canal droit
Gris	+ Canal droit

## RÉGLAGES DE L'AMPLIFICATEUR

### Configurations d'entrée et sortie du signal

La section d'entrée de l'amplificateur comporte un commutateur de phase qui règle la configuration de sortie, les contrôles de gain et les entrées RCA. Elle facilite l'adaptation de l'amplificateur à la plupart des configurations de systèmes.

### Gain d'entrée

Les amplificateurs Orion Cobalt CO3002 et CO6002 peuvent ajuster leurs niveaux pour s'intégrer facilement à toute source. La sensibilité d'entrée est réglable de 175 mV à 5 V. Consultez les sections Essai du système et Réglage sonore du système du présent guide pour des instructions détaillées sur le réglage du gain.

## Répartiteur interne

La répartition des amplificateurs Orion Cobalt CO3002 and CO6002 offre une variation continue et est extrêmement flexible.

Avec les haut-parleurs Orion Cobalt, des déviations mineures des gammes de fréquence recommandées peuvent donner des résultats supérieurs, selon l'emplacement des haut-parleurs et l'acoustique de votre véhicule. Des fréquences de répartition supérieures aux recommandations ne causeront aucun dommage et pourraient produire des résultats supérieurs selon les objectifs de rendement de votre système. Consultez le manuel de votre haut-parleur pour vous aider à choisir les fréquences de répartition appropriées pour votre système.

## Répartiteur passe-bas

Le répartiteur passe-bas est actif sur une pente au second degré de 12 dB par octave. Le répartiteur passe-bas est réglable en continu de 50 Hz à 500 Hz.

## Répartiteur passe-haut

Quand le commutateur est à gauche (position FULL), le répartiteur passe-haut est contourné. Quand il est à droite (HPF), le répartiteur passe-haut est actif. Le répartiteur passe-haut est réglable en continu de 50 Hz à 500 Hz.

# CÂBLAGE DE L'AMPLIFICATEUR

## Raccords d'alimentation pour les Orion Cobalt CO3002 et CO6002

- Fusible Orion Cobalt CO3002: 1 x 25 AMP ATC / Fusibles CO6002: 2 x 20 AMP ATC
- Les raccords d'alimentation acceptent du câble jusqu'à 4 AWG.
- Câbles d'alimentation et mise à la masse 4 AWG recommandés pour rendement optimal.
- Raccordez 12V+ à la batterie par le porte-fusible pour fournir une alimentation principale +12V à l'amplificateur.
- Le fusible du câble d'alimentation doit être au maximum à 18" de la batterie.
- Utilisez une bonne mise à la masse au châssis pour l'amplificateur, aussi près que possible de l'amplificateur.
- Raccordez la borne REM à la borne d'allumage à distance de la source pour fournir l'alimentation +12V requise pour allumer l'amplificateur.
- Mettez du câble de mise à la masse supplémentaire entre la borne négative de la batterie et le châssis.

## Câblage des haut-parleurs CO3002/CO6002

Les amplificateurs Orion Cobalt CO3002 et CO6002 disposent de deux bornes positives et deux bornes négatives de sortie pour le raccord des haut-parleurs à l'amplificateur. Chaque amplificateur est stable à 2  $\Omega$  par canal, ou 4  $\Omega$  en pont.

Diagramme de référence: pages 6 - 7 (figure 5 , 6)

## Câblage trimode

Pour le câblage trimode, les haut-parleurs d'aiguës devraient être branchés en stéréo et utiliser un répartiteur passif en ligne (condensateur) pour chacun afin d'éliminer les basses fréquences. Le haut-parleur mono de graves serait raccordé en pont aux deux canaux stéréo avec un répartiteur passif en ligne (bobine d'induction) pour éliminer les aiguës. Les haut-parleurs d'aiguës devraient être d'au moins 2 ohms et les haut-parleurs de graves d'au moins 4 ohms.

## Branchement en pont

Pour le branchement en pont en une seule charge de haut-parleur, les Orion Cobalt CO3002 et CO6002 peuvent brancher en pont les canaux avant ou arrière. L'impédance du haut-parleur doit être d'au moins 4 ohms.

# INSTALLATION DE L'AMPLIFICATEUR

## Choix de l'emplacement du montage

L'emplacement de votre amplificateur dépend de plusieurs facteurs importants. Le profil bas des amplificateurs Orion Cobalt permet le choix de plusieurs emplacements pour un bon rendement. Assurez-vous de monter l'amplificateur de manière à le protéger des éléments. Montez-le sur une surface stable et plate.

**NOTE:** Le montage sens dessus dessous n'est pas recommandé: il pourrait causer un arrêt dû à la surchauffe.

**ATTENTION!** Ne montez aucun amplificateur dans le compartiment moteur. Ils ne sont pas conçus pour endurer les épreuves des éléments extérieurs.

## Espace du passager

Pour monter l'amplificateur dans l'espace du passager, assurez-vous qu'il y a assez d'espace pour la ventilation. Il est possible de le monter sous le siège. Pour ce faire, ou pour tout emplacement similaire, assurez-vous de disposer d'un espace minimum de 1" autour de l'amplificateur pour un refroidissement adéquat.

## Coffre

Le montage dans le coffre produira d'excellents résultats pourvu que vous ne limitiez pas la circulation d'air autour du dissipateur thermique de l'amplificateur. Pour de meilleurs résultats, donnez à l'amplificateur autant d'espace libre que possible. L'effet de convection du châssis de l'amplificateur assurera un refroidissement optimal pour ce type de montage.

## Précautions générales et conseils d'installation

**ATTENTION!** Faites attention à ne pas couper ni percer le réservoir de carburant, les conduits d'essence, les conduites de frein, les conduites hydrauliques, les conduites à dépression ou le câblage électrique quand vous travaillez sur votre véhicule.

Déconnectez le câble de mise à la masse de la batterie du véhicule avant de faire ou défaire des raccords aux bornes d'alimentation du système audio.

N'utilisez pas cet amplificateur avant de l'avoir monté. Faute d'un montage sécuritaire, des dégâts et blessures sont possibles, surtout en cas d'accident. Un amplificateur non monté est un projectile dangereux en cas de collision. Ne montez jamais un amplificateur là où il pourrait être mouillé. Assurez-vous qu'on ne pourra tirer sur les câbles raccordés. Placez les câbles là où ils ne pourront être raclés, pincés ou endommagés en aucune manière.

Le fusible du câble d'alimentation +12V doit être aussi près que possible de la borne de la batterie, idéalement 18" ou moins. Utilisez le calibre de fusible ou disjoncteur recommandé dans la section Raccords d'alimentation du présent manuel.

S'il faut remplacer le fusible branché sur le côté de l'amplificateur, utilisez le même type et le même calibre de fusible ATC / MAXI que celui que vous remplacez. Si vous n'êtes pas sûr de la

valeur correcte, Consultez la section Raccords d'alimentation pour plus de détails. Un fusible de calibre plus élevé peut causer à l'amplificateur des dégâts non couverts par la garantie.

**NOTE:** Assurez-vous que tout l'équipement du système est éteint avant de faire ou défaire des raccords aux bornes d'entrée RCA ou de haut-parleur. Allumez le système et montez lentement le volume seulement après avoir revérifié tous vos raccords de câbles.

La plupart des systèmes électriques d'automobiles peuvent alimenter un système à un seul amplificateur. Des amplificateurs multiples pourraient exiger une batterie à capacité plus élevée, un alternateur ou un condensateur-magasin. Pour les plus gros systèmes, nous recommandons fortement un condensateur de puissance Directed Audio Essentials et une batterie supplémentaire.

Les amplificateurs Orion Cobalt génèrent une certaine chaleur en fonctionnement normal. L'espace entourant l'amplificateur devrait être libre pour permettre une circulation d'air adéquate. Les serviettes de plage, la lessive de la semaine dernière, les manuels scolaires et les devoirs empilés sur l'amplificateur nuisent à la circulation et peuvent subir des dommages.

## Installation étape par étape

- Étape 1 Choisissez l'emplacement de l'amplificateur. Consultez la section Choix de l'emplacement du montage du présent guide pour plus de détails.
- Étape 2 Choisissez la configuration de système pour votre amplificateur. Consultez la section Câblage des haut-parleurs du présent guide pour des suggestions.
- Étape 3 Acheminez tous les câbles de l'amplificateur aux haut-parleurs, à la source et à la batterie. Ne raccordez pas la batterie maintenant. Faites passer les câbles RCA, d'alimentation et de haut-parleurs loin des câbles électriques et du système d'origine pour réduire la possibilité de bruit de système induit.
- Étape 4 Pré-percez les trous de montage de l'amplificateur. Soyez prudent! Les réservoirs à carburant, conduits d'essence et autres obstacles peuvent être cachés. Pour de meilleurs résultats, marquez les trous de montage avec un marqueur et pré-percez avec une mèche standard 1/8".
- Étape 5 Montez l'amplificateur. Assurez-vous de choisir une surface bien plate. Si c'est impossible, ne serrez pas trop les vis pour éviter de tordre ou forcer le châssis de l'amplificateur.
- Étape 6 Tournez la clé de contact du véhicule en position éteinte.
- Étape 7 Déconnectez la borne de mise à la masse de la batterie du véhicule.
- Étape 8 Raccordez les câbles d'alimentation à l'amplificateur (mise à la masse d'abord, puis 12 V (+) et REM).
- Étape 9 Raccordez les câbles RCA et de haut-parleurs à l'amplificateur. Vérifiez la qualité de ces raccords, d'eux dépend le rendement de votre amplificateur Orion Cobalt. Consultez les sections Configurations d'entrée et sortie du signal et Câblage des haut-parleurs du présent guide pour un branchement correct.
- Étape 10 Raccordez la borne de mise à la masse de la batterie après avoir complété les raccords d'alimentation, de haut-parleurs et RCA.
- Étape 11 Réglez les répartiteurs. Consultez la section Configuration du répartiteur interne du présent manuel pour des instructions détaillées.

Étape 12 Après avoir bien vérifié tous les raccords et réglages, installez le fusible près de la batterie du véhicule et passez à la section Essai du système du présent manuel.

**ATTENTION!** Ne dépassez jamais le calibre recommandé du fusible de l'amplificateur. Cela annulerait votre garantie et pourrait causer des dommages à l'amplificateur.

## RÉGLAGE ET DÉPANNAGE

### Essai du système

Une fois l'installation finie, et pour assurer des années de fonctionnement sans problèmes, il faut tester le système. Suivez les étapes ci-dessous pour tester le son de votre système Orion Cobalt.

- Étape 1 Vérifiez que tous les raccords de câbles sont corrects et solides.
- Étape 2 Baissez à zéro le volume de la source. Mettez les contrôles de tonalité en position neutre ou inactive, incluant le contrôle de contour.
- Étape 3 Réglez le volume de l'amplificateur au minimum.
- Étape 4 Allumez la source. Vérifiez que la DEL d'alimentation sur le côté des raccords de l'amplificateur est allumée. Sinon, consultez les sections Raccords d'alimentation et Conseils de dépannage du présent manuel.
- Étape 5 Si la source n'est pas d'origine, réglez le volume de l'amplificateur à un quart de tour. Augmentez lentement le volume de la source jusqu'à ce que vous entendiez le son. S'il n'y en a pas ou en cas de distorsion, éteignez immédiatement le système. Consultez les sections Raccords d'alimentation et Conseils de dépannage du présent manuel pour corriger votre installation.
- Étape 6 Vérifiez que la sortie de chaque canal est correcte. Si les répartiteurs actifs sont utilisés, vérifiez que chaque sortie de l'amplificateur est correcte. Pour des répartiteurs actifs sur les haut-parleurs médiaux et d'aigus, n'utilisez pas des fréquences de répartition inférieures à celles recommandées. Si le système est mal configuré, consultez la section Configuration du répartiteur interne du présent manuel et faites les corrections requises.
- Étape 7 Si le son est clair et sans distorsion, passez à la section Réglage sonore du système du présent manuel.

### Réglage sonore du système

Maintenant que le système fonctionne, il faut régler le son. Pour cela, il faut ajuster les contrôles de niveau et les répartiteurs internes.

- Étape 1 Baissez à zéro le volume de la source. Mettez les contrôles de tonalité en position neutre ou inactive, incluant le contrôle de contour.
- Étape 2 Réglez le volume de l'amplificateur au minimum.
- Étape 3 Choisissez une musique au contenu dynamique que vous aimez, qui vous est familière et qui sera souvent utilisée dans votre système.
- Étape 4 Montez le volume de la source au niveau exempt de distorsion le plus élevé. Si

vous n'avez pas d'équipement de test, et dépendant de la qualité de la source, ce sera entre  $\frac{3}{4}$  et plein volume. Écoutez pour déceler toute distorsion. Si vous la détectez, baissez le volume de la source jusqu'à ce qu'elle disparaisse. Laissez le contrôle à cette position pour continuer de régler le système.

- Étape 5 Tout en écoutant votre musique favorite, montez le volume correspondant à la sortie médiale jusqu'à ce que vous entendiez une petite distorsion, puis baissez-le juste un peu pour éliminer cette distorsion. Sur certains systèmes, les sorties médiale et aiguë peuvent se trouver sur les mêmes canaux de sortie.
- Étape 6 Montez le volume correspondant à la sortie aiguë jusqu'à ce que vous entendiez une petite distorsion, puis baissez-le juste un peu pour éliminer cette distorsion. Sur certains systèmes, les sorties médiale et aiguë peuvent se trouver sur les mêmes canaux de sortie.
- Étape 7 Faites l'accord fin du niveau de sortie entre les médiales et les aiguës. Consultez à cet effet la section Configuration de répartiteur interne.
- Étape 8 Répétez les étapes 5 à 7 pour les haut-parleurs arrière. Si vous n'en avez pas, passez à l'étape 10.
- Étape 9 Réglez les niveaux entre les médiales et aiguës avant et arrière pour un équilibre avant/arrière optimal.
- Étape 10 Montez le volume correspondant à la sortie des graves jusqu'à ce que vous entendiez une petite distorsion, puis baissez-le juste un peu pour éliminer cette distorsion.
- Étape 11 Faites l'accord fin du niveau de sortie entre les enceintes satellites et les haut-parleurs de graves. Consultez à cet effet la section Configuration de répartiteur interne.
- Étape 12 Profitez bien de votre extraordinaire système stéréo Orion Cobalt.

## Conseils de dépannage

Symptôme	Cause probable	À faire
Aucun son		
	Allumage à distance faible ou absent	Vérifiez le voltage de l'allumage à distance à l'amplificateur et corrigez au besoin.
	Fusible sauté	Vérifiez l'intégrité du câble d'alimentation et la présence de court-circuits de haut-parleurs. Réparez au besoin et remplacez le fusible
	Câbles d'alimentation non raccordés	Vérifiez le câble d'alimentation et les mises à la masse. Réparez/remplacez au besoin
	Entrée audio non raccordée	Vérifiez les raccords RCA. Réparez ou remplacez au besoin
	Câbles de haut-parleurs non raccordés	Vérifiez les câbles de haut-parleurs. Réparez ou remplacez au besoin.
	Haut-parleurs défectueux	Vérifiez avec un haut-parleur fonctionnel. Réparez ou remplacez au besoin.
Le son est intermittent		
	La protection thermique se déclenche quand le dissipateur thermique de l'amplificateur dépasse 50° C (122° F)	Vérifiez la ventilation de l'amplificateur et améliorez-la au besoin.
	Entrée audio desserrée ou de mauvaise qualité	Vérifiez les raccords RCA. Réparez ou remplacez au besoin.
	Raccords d'alimentation desserrés	Vérifiez les câbles d'alimentation et les mises à la masse. Réparez/remplacez au besoin.
Distorsion dans la sortie		
	Sensibilité de niveau de l'amplificateur trop élevée, au-delà de sa capacité	Réajustez le gain. Consultez la section Réglage sonore du système.
	Charge d'impédance à l'amplificateur trop basse	Vérifiez l'impédance du haut-parleur. Si inférieure à 2Ω, reconnectez les haut-parleurs pour augmenter l'impédance.
	Court-circuit dans les câbles de haut-parleurs.	Vérifiez les câbles de haut-parleurs. Réparez ou remplacez au besoin.
	Haut-parleur mal raccordé à l'amplificateur.	Vérifiez les câbles de haut-parleurs. Réparez ou remplacez au besoin. Consultez la section Câblage des haut-parleurs.
	Répartiteur interne mal réglé pour les haut-parleurs.	Réajustez les répartiteurs Consultez la section Configuration de répartiteur interne pour des instructions détaillées.
	Haut-parleurs défectueux	Vérifiez avec des haut-parleurs fonctionnels. Réparez ou remplacez au besoin.
Pauvre réponse de basses		
	Haut-parleurs raccordés à la mauvaise polarité, annulant des basses fréquences.	Vérifiez et réglez au besoin la polarité du haut-parleur.

Répartiteur mal réglé	Réajustez les répartiteurs Consultez la section Configuration de répartiteur interne pour des instructions détaillées.
Charge d'impédance à l'amplificateur trop basse	Vérifiez l'impédance du haut-parleur. Si inférieure à 2Ω, reconnectez les haut-parleurs pour augmenter l'impédance.
Fusible de la batterie sauté	
Court-circuit d'alimentation ou mauvais câblage	Vérifiez les câbles d'alimentation et les mises à la masse. Réparez/remplacez au besoin.
Calibre du fusible plus petit que recommandé	Remplacez par un fusible du bon calibre.
Courant réel supérieur à la capacité du fusible	Vérifiez l'impédance du haut-parleur. Si inférieure à 2Ω, reconnectez les haut-parleurs pour augmenter l'impédance.
Fusible de l'amplificateur sauté	
Calibre du fusible plus petit que recommandé	Remplacez par un fusible du bon calibre.
Charge d'impédance à l'amplificateur trop basse	Vérifiez l'impédance du haut-parleur. Si inférieure à 2Ω, reconnectez les haut-parleurs pour augmenter l'impédance.
Court-circuit aux sorties du haut-parleur	Vérifiez avec des haut-parleurs fonctionnels. Réparez ou remplacez au besoin.
Courant réel supérieur à la capacité du fusible	Vérifiez l'impédance du haut-parleur. Si inférieure à 2Ω, reconnectez les haut-parleurs pour augmenter l'impédance.



# SPÉCIFICATIONS

Section amplificateur	CO3002	CO6002
Sortie en watts RMS, 4 ohms	60 x 2	100 x 2
Sortie en watts RMS, 2 ohms	80 x 2	155 x 2
Distorsion, puissance nominale	< 0.5% THD+N	< 0.7% THD+N
Réponse de fréquence	20Hz à 30kHz +/-0.5dB	20Hz à 30kHz +/-0.5dB
Bande passante linéaire	20Hz à 20kHz ±3dB	20Hz à 20kHz ±3dB
Facteur d'amortissement	> 100	> 100
Sensibilité d'entrée	175mV - 8V	175mV - 8V
Impédance d'entrée	> 15kΩ	> 10kΩ
Type de fusible	(1) 25 Amp, ATC	(2) 20 Amp, ATC
Dimensions	2.1" x 8.1" x 7.9"	2.1" x 8.1" x 11.4"
Poids	4.5 lbs.	6.3 lbs.
<b>Section répartiteur</b>		
Répartiteur passe-bas	Ajustement continu/ 2ème ordre	Ajustement continu/ 2ème ordre
Gamme de fréquences passe-bas	50Hz à 500Hz	50Hz à 500Hz

Charge continue 2Ω, 20 Hz à 200Hz, DHT < 0.1%, voltage d'entrée 13,8 VCC

## DISPOSICIONES DEL PANEL DE EXTREMO

### Placa de entrada (CO3002 figura 1, CO6002 figura 2)

1. **Luz indicadora LED de alimentación.** Cuando está iluminada, indica que el amplificador está encendido.
2. **Entrada de alto nivel.** Conecta la salida de altavoz del radio de fábrica al amplificador. Detecta la señal del radio y enciende el amplificador cuando es necesario. Apaga el amplificador después de un minuto sin señal..
3. **Entradas RCA.** Aceptan entradas RCA de una unidad fuente, preamplificador o ecualizador.
4. **Control de amplificación.** Se ajusta continuamente a entradas de 175 mV a 8 V para producir salida de potencia total.
5. **Selector HPF, FULL, LPF.** Selecciona el crossover de pasaaltas, el de gama completa de frecuencias o el de pasabajas.
6. **Control de frecuencia de pasabajas.** Ajusta la frecuencia del crossover.
7. **Control de frecuencia de pasaaltas.** Ajusta la frecuencia del crossover.
8. **Selector de refuerzo de bajos.** Ajusta la amplificación de los bajos en tres pasos (0 dB, 6 dB y 12 dB).
9. **Luz indicadora LED de estado.** Indica falla en el amplificador y también se ilumina brevemente durante la fase de silenciado del encendido.

Consulte el diagrama de la página 3

### Placa de salida (CO3002 figura 3, CO6002 figura 4)

1. Conexiones de altavoz. Aceptan cable de hasta calibre 12 AWG.
2. 1 fusible ATC (CO3002), 2 fusibles ATC (CO6002). Protegen al amplificador contra los excesos de corriente.
3. Conexiones de alimentación. Aceptan cable de alimentación de hasta calibre 4 AWG.
4. Entrada de encendido a distancia REM. Enciende el amplificador cuando se le da una alimentación de 12 V+.
5. Conexión a tierra. Acepta cable de conexión a tierra de hasta calibre 4 AWG

Consulte el diagrama de la página 4

# ESPECIFICACIONES DE LA CEA

CO3002



Potencia de salida: 60 W RMS x 2 a 4 $\Omega$  y < 1% THD+N  
Relación de señal a ruido: -75 dBA (Referencia: 1 W en 4 $\Omega$ )  
Potencia adicional: 80 W RMS x 2 a 2 $\Omega$  y < 1% THD+N

CO6002



Potencia de salida: 100 W RMS x 2 a 4 $\Omega$  y < 1% THD+N  
Relación de señal a ruido: -75 dBA (Referencia: 1 W en 4 $\Omega$ )  
Potencia adicional: 155 W RMS x 2 a 2 $\Omega$  y < 1% THD+N

## ARNESES DE CABLEADO DE ALTO NIVEL

No conecte las entradas de alto nivel a la conexión a tierra de alimentación, señal o chasis, pues puede dañar las salidas de la unidad principal. Las entradas de alto nivel han sido diseñadas para funcionar con salidas de nivel de altavoz BTL o conectadas a tierra (que se encuentran en la mayoría de las unidades principales).

### CONEXIONES DE ALTO NIVEL

COLOR DEL CABLE	CONEXIÓN DE ENTRADA
Negro	Conexión a tierra
Blanco/Negro	Canal izquierdo -
Blanco	Canal izquierdo +
Gris/Negro	Canal derecho -
Gris	Canal derecho +

## CONFIGURACIONES DEL AMPLIFICADOR

### Configuraciones de salida y entrada de señal

La sección de entrada del amplificador consta de un selector de fase que fija la configuración de salida, los controles de amplificación y las entradas RCA. La sección de entrada facilita la adaptación de este amplificador a la mayoría de las configuraciones de sistema.

### Amplificación de entrada

Los amplificadores Orion Cobalt CO3002 y CO6002 tienen ajustes de nivel para facilitar la integración con cualquier unidad fuente. La sensibilidad de entrada se puede ajustar de 175 mV a 8 V. Consulte las secciones Prueba del sistema y Ajuste de sonido del sistema de esta guía para ver instrucciones detalladas de configuración de la amplificación.

## Crossover interno

La sección de crossover de los amplificadores Orion Cobalt CO3002 y CO6002 es continuamente variable y extremadamente flexible.

Cuando utilice altavoces Orion Cobalt, las pequeñas desviaciones de las gamas de frecuencias recomendadas pueden producir resultados de calidad superior, dependiendo de la ubicación de los altavoces y de la acústica del vehículo. Fijar frecuencias de crossover más altas que las recomendadas no causará daños y puede dar resultados sónicos de calidad superior, dependiendo de las metas de rendimiento de su sistema. Consulte el manual del propietario del altavoz para obtener asistencia en la selección de las frecuencias de crossover correctas de su sistema.

## Crossover de pasabajas

El crossover de pasabajas funciona con una pendiente de segundo orden (12 dB por octava). El crossover de pasabajas es continuamente variable de 50 Hz a 500 Hz.

## Crossover de pasaaltas

Cuando el selector está a la izquierda (posición FULL), el crossover de pasaaltas se pasa por alto. Cuando está a la derecha (posición HPF), el crossover de pasaaltas está activado. El crossover de pasaaltas es continuamente variable de 50 Hz a 500 Hz.

# CABLEADO DEL AMPLIFICADOR

## Conexiones de alimentación de los amplificadores Orion Cobalt CO3002 y CO6002

- Valor nominal de los fusibles de los amplificadores Orion Cobalt. CO3002: 1 ATC de 25 A, CO6002: 2 ATC de 20 A c/u
- Las conexiones de alimentación aceptan cable de hasta calibre 4 AWG.
- Se recomienda cable de conexión a tierra y cable de alimentación de calibre 4 AWG para obtener un rendimiento óptimo.
- Conecte la terminal 12 V+ a la batería a través del portafusibles. Esta conexión da +12 V de alimentación principal al amplificador.
- El cable de alimentación debe tener un fusible a no más de 18 plg. de la terminal de la batería.
- Conecte a tierra el amplificador en un buen punto de conexión a tierra del chasis lo más cerca posible del amplificador.
- Conecte la terminal REM al conductor de encendido a distancia de la unidad fuente. Esta conexión da +12 V de alimentación para encender el amplificador.
- Agregue cable de conexión a tierra entre la terminal negativa de la batería y el chasis.

## Diagrama de cableado de altavoces del CO3002/CO6002

Los amplificadores Orion Cobalt CO3002 y CO6002 ofrecen dos terminales de salida positivas y dos terminales de salida negativas para facilitar la conexión de los altavoces al amplificador. Cada amplificador es estable a 2  $\Omega$  por canal o 4  $\Omega$  por par de canales en puente .

Consulte el diagrama de las páginas 6 - 7 (figura 5 , 6)

## Modalidad triple

Para cablear en modalidad triple, los altavoces de alta frecuencia deben hacerse funcionar en estereofónico y tener cada uno un crossover en línea pasivo (condensador) para quitar las fre-

cuencias bajas. El altavoz de baja frecuencia monofónico se conecta en modalidad de puente a los dos canales estereofónicos con un crossover pasivo en línea (inductor) para quitar las frecuencias altas. Los altavoces de frecuencias altas no deben ser de menos de  $2 \Omega$  y el altavoz de baja frecuencia no debe ser de menos de  $4 \Omega$ .

## Conexión en puente

Para conectar en puente una sola carga de altavoz, a los amplificadores Orion Cobalt CO3002 y CO6002 se les pueden conectar en puente los canales delanteros y traseros. La impedancia del altavoz no debe ser menos de  $4 \Omega$ .

# INSTALACIÓN DEL AMPLIFICADOR

## Selección de ubicaciones de montaje

La ubicación de su amplificador depende de varios asuntos importantes. Debido al pequeño tamaño de los amplificadores Orion Cobalt, hay muchas ubicaciones de montaje que producen un rendimiento satisfactorio. Monte siempre el amplificador en un lugar protegido contra los elementos. Además, móntelo en una superficie plana y estable.

**NOTA:** Se recomienda no montar los amplificadores invertidos, pues esto puede causar un apagado térmico prematuro.

**¡ADVERTENCIA!** No monte el amplificador en el compartimiento del motor. Los amplificadores no han sido diseñados para soportar el riguroso ambiente de los elementos exteriores.

## Compartimiento de pasajeros

Si va a montar el amplificador en el compartimiento de pasajeros, deje suficiente espacio para la ventilación. El diseño de los amplificadores permite montarlos debajo de los asientos. Cuando monte el amplificador debajo del asiento, o en un lugar similar, deje un mínimo de 1 plg. de separación alrededor de todo el amplificador para que tenga un enfriamiento adecuado.

## Maletero

Montar el amplificador en el maletero da un excelente rendimiento, con tal de que no se restrinja el flujo de aire alrededor del disipador térmico del amplificador. Para obtener resultados óptimos, monte el amplificador con la mayor cantidad de espacio posible a su alrededor. Este tipo de montaje produce el mejor enfriamiento debido al efecto de convección del chasis del amplificador.

## Precauciones generales y sugerencias de instalación

**¡ADVERTENCIA!** Cuando trabaje en el vehículo, tenga cuidado de no cortar ni perforar el tanque de gasolina; las líneas de combustible, freno o vacío; las líneas hidráulicas o el cableado eléctrico.

Desconecte de la batería el cable de conexión a tierra del vehículo antes de hacer o deshacer conexiones a las terminales de suministro de alimentación del sistema de sonido.

No utilice este amplificador sin montarlo. No asegurar o montar firmemente el amplificador puede causar daños o lesiones, especialmente en caso de accidente. El amplificador sin montar se vuelve un proyectil peligroso en caso de choque. Nunca lo monte donde pueda mojarse. Móntelo de manera que los cables no se puedan desconectar. Encamine los cables por donde no vayan a

ser raspados, aplastados o dañados de ninguna manera.

El cable de alimentación de +12 V debe tener un fusible lo más cerca posible de la terminal de la batería, idealmente a menos de 18 plg. de tal terminal. Utilice fusibles o interruptores automáticos del valor nominal recomendado en la sección Conexiones de alimentación de este manual.

Si necesita cambiar el fusible enchufado en el costado del amplificador, cámbielo por un fusible tipo ATC/MAXI del valor nominal del que vino con el amplificador. Si no está seguro del valor correcto, consulte la sección Conexiones de alimentación de este manual para ver los detalles. Utilizar un fusible de mayor valor nominal puede causarle al amplificador daños no cubiertos por la garantía.

**NOTA:** Asegúrese de que todo el equipo del sistema esté apagado cuando haga o deshaga conexiones a las terminales de altavoz o a las entradas RCA. Encienda el sistema y lentamente suba el control de volumen sólo después de verificar dos veces todas las conexiones de cables.

La mayoría de los sistemas eléctricos automotrices pueden suministrar la alimentación necesaria para los sistemas con un solo amplificador. Los sistemas con varios amplificadores pueden necesitar una batería o un alternador de mayor capacidad o un condensador de almacenamiento. Recomendamos enfáticamente instalar un condensador de alimentación de Directed Audio Essentials y una batería adicional en los sistemas estereofónicos grandes.

Los amplificadores Orion Cobalt generan cierta cantidad de calor como parte normal de su funcionamiento. El área alrededor del amplificador no debe estar obstruida para permitir una circulación de aire adecuada. Recuerde que las mantas de playa, la ropa para lavar de la semana pasada, los libros escolares y los papeles de las tareas escolares colocados encima del amplificador no mejoran el flujo de aire y pueden dañarse.

## Instalación paso a paso

- Paso 1.** Determine la ubicación del amplificador. Consulte la sección Selección de ubicaciones de montaje de esta guía para ver información detallada.
- Paso 2.** Decida qué configuración de sistema va a tener su amplificador. Para ver sugerencias de sistema, consulte la sección Conexiones de altavoz de esta guía.
- Paso 3.** Encamine todos los cables desde la ubicación del amplificador hasta los altavoces, la unidad fuente y la batería. No conecte la batería en este momento. Pase los cables de altavoz, alimentación y RCA lo más lejos posible del sistema y los cables eléctricos de fábrica, pues presentan un gran potencial de ruido de sistema inducido.
- Paso 4.** Haga los agujeros de montaje para el amplificador. Piense antes de taladrar. Los tanques de gasolina, las líneas de combustible y otras obstrucciones tienen la mala costumbre de esconderse. Para obtener los mejores resultados, marque la posición de los agujeros de montaje con un marcador y haga estos agujeros con una broca perforadora estándar de 1/8 de pulgada.
- Paso 5.** Montaje del amplificador. El amplificador debe ir montado en una superficie plana. Si esto no es posible, no apriete en exceso los tornillos para que el chasis del amplificador no se tuerza o se doble.
- Paso 6.** Pase la llave de encendido del vehículo a la posición de apagado.
- Paso 7.** Desconecte la terminal de conexión a tierra de la batería del vehículo.
- Paso 8.** Conecte los cables de alimentación al amplificador (primero la terminal a tierra, luego la de 12 V+ y finalmente la del control remoto, REM).
- Paso 9.** Conecte los cables de altavoz y los cables RCA al amplificador. Verifique la calidad de las conexiones de señal y de altavoz. Esto determina en última instancia el rendimiento del amplificador Orion Cobalt. Consulte las secciones Controles de

nivel de salida y entrada de señal y Conexiones de altavoz de esta guía para ver las instrucciones de cableado correctas.

- Paso 10. Vuelva a conectar la terminal de conexión a tierra de la batería después de hacer las conexiones RCA, de altavoz y de alimentación.
- Paso 11, Configure los crossovers. Consulte la sección Crossover interno de este manual para ver instrucciones detalladas.
- Paso 12. Una vez que esté satisfecho de que todas las conexiones y configuraciones son correctas, instale el fusible cerca de la batería del vehículo y proceda a la sección Prueba del sistema de este manual.

**¡ADVERTENCIA!** No exceda nunca el valor nominal del fusible recomendado para este amplificador. Hacerlo dará como resultado la anulación de la garantía y posible daño al amplificador.

## CONFIGURACIÓN Y DETECCIÓN Y REPARACIÓN DE AVERÍAS

### Prueba del sistema

Después de terminar la instalación, es necesario poner a prueba el sistema. Esto contribuirá a garantizar años de funcionamiento sin problemas. Consulte la lista de pasos que aparece abajo cuando ponga a prueba el sonido de su sistema Orion Cobalt.

- Paso 1. Verifique todas las conexiones de cableado para asegurarse de que sean correctas y estén firmes.
- Paso 2. Baje el control de volumen de la fuente de señal hasta el mínimo. Fije los controles de tono, incluso el de sonoridad, en sus posiciones de anulación.
- Paso 3. Gire los controles de nivel del amplificador hasta sus posiciones de mínimo.
- Paso 4. Encienda la unidad fuente. Vea si la luz indicadora LED de alimentación, ubicada en el lado de las conexiones del amplificador, está encendida. Si no lo está, consulte las secciones Conexiones de alimentación y Sugerencias de detección y reparación de averías de este manual para ver las instrucciones.
- Paso 5. Si está utilizando una unidad fuente de posventa, gire los controles de nivel del amplificador aproximadamente un cuarto de vuelta a partir de la posición de mínimo. Aumente lentamente el nivel de volumen de la unidad fuente oyendo la salida del sistema. Si no oye ningún sonido, o si la salida está distorsionada, apague el sistema inmediatamente. Consulte las secciones Conexiones de alimentación y Sugerencias de detección y reparación de averías de este manual para resolver sus problemas de instalación.
- Paso 6. Asegúrese de que la salida de cada canal sea correcta. Si se usan los crossovers activos, verifíquelos para asegurarse de que cada salida del amplificador sea correcta. Cuando utilice crossovers activos en altavoces de gama de frecuencias medias y tweeters, no utilice frecuencias de crossover menores que las recomendadas. Si el sistema no está configurado correctamente, consulte la sección Crossover interno de este manual para tomar medidas correctivas.
- Paso 7. Si la salida es clara y sin distorsión, continúe con la sección Ajuste de sonido del sistema de este manual.

### Ajuste de sonido del sistema

Una vez que haya verificado el funcionamiento del sistema, ajústelo el sonido. Esto se logra fijando los controles de nivel y ajustando los crossovers internos.

- Paso 1. Gire el control de volumen de la fuente de señal hasta el mínimo. Fije los controles de tono, incluso el de sonoridad, en sus posiciones de anulación.
- Paso 2. Gire los controles de nivel del amplificador hasta sus posiciones de mínimo.
- Paso 3. Escoja música con alto contenido dinámico que le guste, que le sea conocida y que vaya a reproducir con mayor frecuencia en el sistema.
- Paso 4. Gire el control de volumen de la unidad fuente hasta su mayor nivel de salida sin distorsión. Si no tiene equipo de prueba, este punto debe estar entre tres cuartos y el máximo de volumen, dependiendo de la calidad de la unidad fuente. Vea si hay distorsión audible. Si oye distorsión, reduzca el volumen de la unidad fuente hasta que la salida pierda la distorsión. Deje el control de volumen en esta posición mientras ajusta el sistema.
- Paso 5. Escuchando la música dinámica escogida, suba el control de nivel correspondiente a la salida de frecuencias medias hasta que oiga una ligera distorsión y luego baje levemente el control de nivel hasta que la distorsión desaparezca. Dependiendo del sistema, la salida de altavoz de frecuencias medias y de tweeter puede estar en los mismos canales de salida.
- Paso 6. Suba el control de nivel correspondiente a la salida de tweeter hasta que oiga una ligera distorsión y luego baje levemente el control de nivel hasta que la distorsión desaparezca. Dependiendo del sistema, la salida de altavoz de frecuencias medias y de tweeter puede estar en los mismos canales de salida.
- Paso 7. Haga ajustes menores al nivel de salida entre las frecuencias medias y los tweeters. Consulte la sección Crossover interno de este manual para ver instrucciones detalladas.
- Paso 8. Repita los pasos 5 a 7 con los altavoces traseros. Si no tiene altavoces traseros, continúe con el paso 10.
- Paso 9. Fije los niveles entre los altavoces de frecuencias medias y los tweeters delanteros y traseros para lograr un equilibrio delantero/trasero óptimo.
- Paso 10. Gire el control de nivel correspondiente a la salida de woofer hasta que oiga una ligera distorsión y luego baje levemente el control de nivel hasta que la distorsión desaparezca.
- Paso 11. Haga ajustes menores al nivel de salida entre los altavoces satélite y los woofers. Consulte la sección Crossover interno de este manual para ver instrucciones detalladas.
- Paso 12. Disfrute de su maravilloso sistema de sonido Orion Cobalt.



## Sugerencias de detección y reparación de averías

Síntoma	Causa probable	Medidas a tomar
<b>No hay salida</b>		
	El encendido a distancia está bajo o no funciona	Verifique el voltaje de encendido a distancia en el amplificador de voltaje y repárelo según sea necesario.
	Fusible quemado	Verifique la integridad del cable de alimentación y vea si hay cortocircuitos en los altavoces. Repárelos según sea necesario y cambie el fusible.
	Los cables de alimentación no están conectados	Verifique las conexiones del cable de alimentación y del cable de conexión a tierra y repárelas según sea necesario.
	La salida de sonido no está conectada	Verifique las conexiones RCA y repárelas o cámbielas según sea necesario.
	Los cables de altavoz no están conectados	Verifique los cables de altavoz y repárelos o cámbielos según sea necesario.
	El altavoz está quemado	Verifique el sistema con un altavoz que funcione y repare o cambie los altavoces según sea necesario.
<b>El sonido va y viene cíclicamente</b>		
	La protección térmica se activa cuando la temperatura del disipador térmico supera los 50 °C (122 °F)	Asegúrese de que haya ventilación adecuada para el amplificador y mejore la ventilación según sea necesario.
	Entradas de sonido malas o flojas	Verifique las conexiones RCA y repárelas o cámbielas según sea necesario.
	Conexiones de alimentación flojas	Verifique los cables de alimentación y las conexiones a tierra y repárelas o cámbielas según sea necesario.
<b>Salida distorsionada</b>		
	La sensibilidad de nivel del amplificador es demasiado alta y excede la capacidad máxima del amplificador	Vuelva a ajustar la amplificación. Consulte la sección Ajuste de sonido del sistema de este manual para ver instrucciones detalladas.
	La carga de impedancia al amplificador es demasiado baja	Verifique la carga de impedancia de los altavoces; si está por debajo de $2\Omega$ , vuelva a cablear los altavoces para lograr mayor impedancia.
	Cortocircuito en los cables de altavoz.	Verifique los cables de altavoz y repárelos o cámbielos según sea necesario.
	El altavoz no está conectado correctamente al amplificador	Verifique los cables de altavoz y repárelos o cámbielos según sea necesario. Consulte la sección Conexiones de altavoz de este manual para ver instrucciones detalladas.
	El crossover interno no se ha fijado correctamente para los altavoces	Vuelva a ajustar los crossovers. Consulte la sección Crossover interno de este manual para ver instrucciones detalladas.

Los altavoces están quemados	Verifique el sistema con altavoces que funcionen y repare o cambie los altavoces quemados según sea necesario.
<b>Mala respuesta de bajos</b>	
Los altavoces cableados con la polaridad equivocada causan cancelación a frecuencias bajas	Verifique la polaridad de los altavoces y cámbiela según sea necesario
El crossover se ha configurado incorrectamente	Vuelva ajustar los crossovers. Consulte la sección Crossover interno de este manual para ver instrucciones detalladas.
La carga de impedancia en el amplificador es demasiado baja	Verifique la carga de impedancia de los altavoces; si está por debajo de $2\Omega$ , vuelva a cablear los altavoces para lograr mayor impedancia.
<b>El fusible de la batería se quema</b>	
Cortocircuito en el cable de alimentación o cableado es incorrecto	Verifique los cables de alimentación y de conexión a tierra y repárelos según sea necesario.
El valor nominal del fusible es menor de lo recomendado	Cambie el fusible por uno de valor nominal apropiado.
La corriente real excede el valor nominal del fusible	Verifique la carga de impedancia de los altavoces; si está por debajo de $2\Omega$ , vuelva a cablear los altavoces para lograr mayor impedancia.
<b>Amplifier fuse blowing</b>	
El valor nominal del fusible es menor de lo recomendado	Cambie el fusible por uno de valor nominal apropiado.
La carga de impedancia al amplificador es demasiado baja	Verifique la carga de impedancia de los altavoces; si está por debajo de $2\Omega$ , vuelva a cablear los altavoces para lograr mayor impedancia.
El altavoz está quemado y tiene un cortocircuito en las salidas	Verifique el sistema con altavoces que funcionen y repare o cambie los altavoces quemados según sea necesario.
La corriente real excede el valor nominal del fusible	Verifique la carga de impedancia de los altavoces, si está por debajo de $2\Omega$ vuelva a cablear los altavoces para lograr mayor impedancia.

# ESPECIFICACIONES

Sección de amplificador	CO3002	CO6002
Potencia de salida en W RMS, 4Ω	60 x 2	100 x 2
Potencia de salida en W RMS, 2Ω	80 x 2	155 x 2
Distorsión a la potencia nominal	< 0.5% THD+N	< 0.7% THD+N
Respuesta de frecuencias	20Hz a 30kHz +/-0.5dB	20Hz a 30kHz +/-0.5dB
Ancho de banda lineal	20Hz a 20kHz ±3dB	20Hz a 20kHz ±3dB
Coefficiente de amortiguamiento	> 100	> 100
Sensibilidad de entrada	175mV - 8V	175mV - 8V
Impedancia de entrada	> 15kΩ	> 10kΩ
Tipo de fusible	1 ATC de 25 A	2 ATC de 20 A c/u
Dimensiones	2.1 plg. x 8.1 plg. x 7.9 plg.	2.1 plg. x 8.1 plg. x 11.4 plg.
Peso	4.5 lbs.	6.3 lbs.
<b>Sección de crossover</b>		
Crossover de pasabajas y pasaaltas	Continuamente variable / 2do. orden	Continuamente variable / 2do. orden
Gama de frecuencias de crossover	50Hz a 500Hz	50Hz a 500Hz

Carga continua de 2Ω de 20 Hz a 200 Hz, < 0.1% THD, con voltaje de entrada a 13.8 V CC.

## LAYOUTS DER ENDABDECKUNG

### **Anschlussplatte** (CO3002 abbildung 1, CO6002 abbildung 2)

1. **Netz-LED** – Leuchtet auf, wenn der Verstärker eingeschaltet ist.
2. **Hochpegeleingang** – Schließen Sie den Lautsprecherausgang des Autoradios am Verstärker an, und dieser Eingang erkennt automatisch ein Signal vom Radio und schaltet den Verstärker bei Bedarf ein bzw. nach 1 Minute ohne Signal wieder ab.
3. **RCA-Buchsen** – Für Signale von einem Autoradio, Vorverstärker oder Equalizer.
4. **Verstärkungsregler** – Passt den Eingang stufenlos von 175 mV bis 8 V an, um die volle Ausgabeleistung zu erhalten.
5. **Schalter HPF, FULL, LPF** - Wählt entweder Hochpass-Crossover, Vollbereich oder Tiefpass-Crossover.
6. **Tiefpass-Frequenzregler** – Stellt die Crossover-Frequenz ein.
7. **Hochpass-Frequenzregler** – Stellt die Crossover-Frequenz ein.
8. **Bass-Boost-Schalter** – Stellt die Bassverstärkung auf eine von drei Stufen (0 dB, 6 dB oder 12dB) ein.
9. **Status-LED** – Zeigt jeden Fehlerzustand im Verstärker an und leuchtet auch während der Stummschaltphase des Einschaltens kurz auf.

Siehe Diagramm auf Seite 3

### **Ausgangsplatte** (CO3002 abbildung 3, CO6002 abbildung 4)

1. **Lautsprecheranschlüsse** - Für Lautsprecherdraht mit bis zu 12 AWG.
2. **1 ATC-Sicherung (CO3002) - 2 ATC-Sicherungen (CO6002)** - Schützen den Verstärker vor Überspannung.
3. **Stromanschlüsse** - Für Stromkabel mit bis zu 4 AWG.
4. **REM-Fernanschlusungseingang** - Schaltet den Verstärker bei Ansteuerung mit 12 V+ ein.
5. **Erdungsanschluss** - Für Erdungskabel mit bis zu 4 AWG.

Siehe Diagramm auf Seite 4

# CEA-DATEN

## CO3002



Leistung: 60 Watt RMS x 2 bei 4 Ohm und < 1 % Gesamtklirrfaktor und Verzerrungen  
Rauschabstand: -75 dBA (Referenz 1 Watt an 4 Ohm)  
Weitere Leistung: 80 Watt RMS x 2 bei 2 Ohm und < 1 % Gesamtklirrfaktor und Verzerrungen

## CO6002



Leistung: 100 Watt RMS x 2 bei 4 Ohm und < 1 % Gesamtklirrfaktor und Verzerrungen  
Rauschabstand: -75 dBA (Referenz 1 Watt an 4 Ohm)  
Weitere Leistung: 155 Watt RMS x 2 bei 2 Ohm und < 1 % Gesamtklirrfaktor und Verzerrungen

## HOCHPEGEL-LEITUNGSSYSTEME

Verbinden Sie die Hochpegel-Eingänge nicht mit den Strom-, Signal- oder Masseanschlüssen, da dies die Ausgänge des Autoradios beschädigen könnte. Die Hochpegel-Eingänge sind für geerdete oder BTL-Lautsprecherpegelausgänge (die es an den meisten Autoradios gibt) konzipiert.

### HOCHPEGELANSCHLÜSSE

DRAHTFARBE	EINGANG
Schwarz	Masse
Weiß/Schwarz	- Linker Kanal
Weiß	+ Linker Kanal
Grau/Schwarz	- Rechter Kanal
Grau	+ Rechter Kanal

## VERSTÄRKEREINSTELLUNGEN

### Signaleingangs- und -ausgangskonfigurationen

Der Eingangsbereich des Verstärkers besteht aus einem Phasenschalter, der die Ausgangskonfiguration, die Verstärkungsregler und die Cinch-Eingänge festlegt. Der Eingangsbereich erleichtert es, diesen Verstärker an die meisten Systemkonfigurationen anzuschließen.

### Eingangs-Verstärkung

Die Verstärker Orion Cobalt CO3002 und CO6002 besitzen Pegelinstellungen, die die Integration mit jedem Autoradio erleichtern. Die Eingangsempfindlichkeit kann zwischen 175 mV und 8 V eingestellt werden. Detaillierte Anweisungen zur Einstellung des Verstärkungsfaktors finden Sie in den Abschnitten Systemtest und Systemsound einstellen in dieser Anleitung.

## Interne Crossover-Einheit

Die Crossover-Einheiten der Verstärker Orion Cobalt CO3002 und CO6002 sind stufenlos einstellbar und extrem flexibel.

Bei der Verwendung von Orion Cobalt-Lautsprechern können geringe Abweichungen von den empfohlenen Frequenzbereichen je nach Lautsprecherposition und Fahrzeugakustik zu hervorragenden Ergebnissen führen. Wenn Sie die Crossover-Frequenzen höher als empfohlen einstellen, schadet das nicht und kann sogar je nach den Leistungszielen für Ihr System besseren Klang bringen. Das Handbuch Ihres Lautsprechers gibt Ihnen Hinweise zur Wahl der korrekten Crossover-Frequenz für Ihr System.

## Tiefpass-Crossover

Die Tiefpass-Crossover-Einheit ist aktiv, mit einer Flankensteilheit der 2. Stufe (12 dB/Oktave). Die Tiefpass-Crossover-Einheit ist zwischen 50 Hz und 500 Hz stufenlos verstellbar.

## Hochpass-Crossover

Wenn der Schalter links steht (auf Position FULL), wird die Hochpass-Crossover-Einheit umgangen. Wenn der Schalter rechts steht (auf Position HPF), ist die Hochpass-Crossover-Einheit aktiviert. Die Hochpass-Crossover-Einheit ist zwischen 50 Hz und 500 Hz stufenlos verstellbar.

# VERSTÄRKERANSCHLUSS

## Stromanschluss für Orion Cobalt CO3002 und CO6002

- Orion Cobalt CO3002 Sicherungsgröße: 1x 25 AMP ATC / CO6002 Sicherungsgröße: 2 x 20 AMP ATC
- Stromanschlüsse mit bis zu 4 AWG Drahtdicke.
- 4 AWG Strom- und Erdungskabel für optimale Leistung empfohlen.
- Durch Sicherungsfassung 12V+ an die Batterie anschließen. Dieser Anschluss liefert +12V Strom an den Verstärker.
- Das Stromkabel muss in höchstens 45 cm Entfernung von der Batterie abgesichert werden.
- Der Verstärker muss an einem guten Chassis-Erdungspunkt geerdet werden, der nicht zu weit entfernt ist.
- Schließen Sie den REM-Anschluss an die Ferneinschaltungsleitung des Autoradios an. Dieser Anschluss liefert +12V Strom zum Einschalten des Verstärkers.
- Fügen Sie zwischen dem negativen Batteriepol und dem Chassis ein weiteres Erdungskabel ein.

## Lautsprecher-Anschlussdiagramm CO300.1/CO6002

Die Verstärker Orion Cobalt CO3002 und CO6002 bieten zwei positive und zwei negative Ausgangsterminals, die den Lautsprecheranschluss erleichtern. Jeder Verstärker ist an 2 Ohm pro Kanal oder 4 Ohm im Brückenmodus stabil.

Siehe Diagramm auf Seite 6 - 7 (abbildung 5 , 6)

## Tri-Modus

Beim Tri-Modus-Anschluss sollten die Hochtöner in Stereo geschaltet sein und jeder eine passive Inline-Crossovereinheit (Kondensator) zum Ausfiltern der tiefen Frequenzen verwenden. Der Mono-Tieftöner ist dann im Brückenmodus über eine passive Inline-Crossovereinheit (Induktor) zum Ausfiltern der hohen Frequenzen an die beiden Stereokanäle angeschlossen.

Die Hochtöner sollten mindestens 2 Ohm und die Tieftöner mindestens 4 Ohm Impedanz haben.

## Brückenmodus

Beim Anschluss an einen Lautsprecher im Brückenmodus kann der Orion Cobalt CO3002 und CO6002 die vorderen oder hinteren Kanäle zusammen überbrücken. Die Impedanz des Lautsprechers muss mindestens 4 Ohm betragen.

# VERSTÄRKERINSTALLATION

## Wahl der Einbaustelle

Der Einbauort des Verstärkers hängt von mehreren wichtigen Faktoren ab. Aufgrund der geringen Größe der Orion Cobalt-Verstärker gibt es viele mögliche Einbauorte, die eine ausreichende Verstärkerleistung gewährleisten. Installieren Sie den Verstärker stets an einer vor den Elementen geschützten Stelle. Zudem müssen Sie den Verstärker auf einer stabilen, ebenen Oberfläche installieren.

**HINWEIS:** Der umgekehrte Einbau von Verstärkern ist nicht zu empfehlen, da dies zu einem vorzeitigen Auslösen des Überhitzungsschutzes führen kann.

**ACHTUNG!** Installieren Sie den Verstärker nicht im Motorraum. Verstärker sind nicht für die raue Umgebung der Außenwelt konzipiert.

## Fahrgastraum

Wenn Sie den Verstärker im Fahrgastraum installieren wollen, müssen Sie auf ausreichenden Freiraum zur Lüftung achten. Die Verstärker können unter den Sitzen eingebaut werden. Beim Einbau eines Verstärkers unter einem Sitz oder in einem ähnlichen Bereich müssen Sie mindestens 2,5 cm Freiraum um den Verstärker herum lassen, um ihn ausreichend zu kühlen.

## Kofferraum

Der Einbau des Verstärkers im Kofferraum bietet hervorragende Leistung, solange der Luftstrom um den Kühlkörper des Verstärkers nicht behindert wird. Lassen Sie um den Verstärker möglichst viel Freiraum, um die besten Ergebnisse zu erzielen. Diese Einbaumethode bietet aufgrund des Konvektionseffekts des Verstärkergehäuses die beste Kühlung.

## Allgemeine Vorsichts- und Installationshinweise

**ACHTUNG!** Passen Sie auf, dass Sie bei der Arbeit am Fahrzeug nicht Treibstofftanks, Treibstoffleitungen, Bremsleitungen, Hydraulikleitungen, Unterdruckleitungen oder Stromkabel durchschneiden oder anbohren.

Trennen Sie das Erdungskabel des Fahrzeugs an der Batterie, bevor Sie Verbindungen zu den Stromanschlüssen des Audiosystems herstellen oder unterbrechen.

Setzen Sie den Verstärker nicht unbefestigt ein. Wenn Sie den Verstärker nicht fachgerecht befestigen, kann dies zu Schäden oder Verletzungen führen, vor allem bei einem Unfall. Bei einem Unfall kann ein nicht befestigter Verstärker zu einem gefährlichen Projektil werden. Befestigen Sie den Verstärker nie an einer Stelle, an der er nass werden kann. Installieren Sie ihn so, dass die Kabel nicht unter Zug stehen. Verlegen Sie die Kabel so, dass sie auf keinen Fall gekratzt, gequetscht oder anderweitig beschädigt werden können.

Das +12V-Stromkabel muss möglichst nahe an der Batterie abgesichert werden, am besten weniger als 45 cm entfernt. Verwenden Sie die im Abschnitt Stromanschlüsse in dieser Anleitung

aufgelisteten Sicherungen oder Trennschalter.

Wenn Sie die Sicherung an der Seite des Verstärkers wechseln müssen, ist diese mit einer ATC / MAXI-Sicherung der gleichen Größe zu ersetzen. Wenn Sie die richtige Größe nicht kennen, sehen Sie bitte im Abschnitt Stromanschlüsse in dieser Anleitung nach. Die Verwendung einer Sicherung mit höherer Spannung kann den Verstärker beschädigen und wird durch die Garantie nicht abgedeckt.

**HINWEIS:** Vergewissern Sie sich, dass alle Geräte im System ausgeschaltet sind, wenn Sie Verbindungen zu den Eingangsbuchsen oder Lautsprecherterminals herstellen oder unterbrechen. Prüfen Sie erst alle Kabelverbindungen, bevor Sie das System einschalten und die Lautstärke langsam anheben.

Die meisten Fahrzeuge können genug Strom für Systeme mit einem Verstärker liefern. Systeme mit mehr Verstärkern benötigen eventuell eine stärkere Batterie, Lichtmaschine oder den Einsatz eines Speicherkondensators. Wir empfehlen sehr, bei größeren Stereosystemen einen Directed Audio Essentials-Speicherkondensator und eine zusätzliche Batterie zu verwenden.

Orion Cobalt-Verstärker erzeugen im Normalbetrieb eine gewisse Wärmemenge. Vergewissern Sie sich, dass die Luftzirkulation um den Verstärker nicht behindert wird. Denken Sie daran, dass Badetücher, die Wäsche der letzten Woche, Schulbücher und Hausaufgaben, die man auf dem Verstärker stapelt, den Luftstrom nicht verbessern und selbst beschädigt werden können.

## Schrittweise Installation

1. Schritt. Legen Sie den Einbauort des Verstärkers fest. Detaillierte Informationen hierzu finden Sie im Abschnitt Wahl der Einbaustelle in dieser Anleitung.
2. Schritt. Wählen Sie die Systemkonfiguration Ihres Verstärkers. Vorschläge hierzu finden Sie im Abschnitt Lautsprecheranschlüsse in dieser Anleitung.
3. Schritt. Verlegen Sie alle Kabel vom Verstärker zu den Lautsprechern, zum Autoradio und zur Batterie. Schließen Sie jetzt die Batterie noch nicht an. Verlegen Sie RCA-, Strom- und Lautsprecherkabel von den werksseitig installierten Stromkabeln entfernt, da diese Störungen verursachen können.
4. Schritt. Bohren Sie die Verstärker-Befestigungslöcher vor. Denken Sie nach, bevor Sie bohren. Benzintanks, Benzinleitungen und andere Hindernisse sind oft schwer zu sehen. Verwenden Sie einen Markierstift, um die Befestigungslöcher zu markieren, und bohren Sie diese mit einem standardmäßigen 1/8-Zoll-Bohrer vor.
5. Schritt. Installieren Sie den Verstärker. Stellen Sie sicher, dass der Verstärker auf einer ebenen Oberfläche installiert wird. Wenn dies nicht möglich ist, dürfen Sie die Schrauben nicht zu fest anziehen, damit weder das Chassis noch der Verstärker verbogen werden.
6. Schritt. Drehen Sie den Zündschlüssel auf die Aus-Position.
7. Schritt. Trennen Sie den Masseanschluss der Fahrzeugbatterie.
8. Schritt. Schließen Sie die Stromkabel an den Verstärker an (erst Erdung, dann 12 V(+) und REM).
9. Schritt. Schließen Sie die RCA- und Lautsprecherkabel an den Verstärker an. Prüfen Sie die Qualität der Lautsprecher- und Signalanschlüsse. Dies wird letztendlich die Leistung Ihres Orion Cobalt-Verstärkers bestimmen. Die Abschnitte Signaleingangs- und Ausgangspegelregler und Lautsprecheranschluss in dieser Anleitung enthalten die Anschlussanweisungen.
10. Schritt. Schließen Sie nach der Verbindung der Strom-, Lautsprecher- und RCA-Kabel den



Masseanschluss wieder an die Batterie an.

11. Schritt. Crossover einstellen. Detaillierte Anweisungen finden Sie im Abschnitt Interne Crossover-Konfiguration in dieser Anleitung.
12. Schritt. Wenn Sie sichergestellt haben, dass alle Verbindungen und Einstellungen korrekt sind, installieren Sie die Sicherung in der Nähe der Fahrzeugbatterie und fahren mit dem Abschnitt Systemtest fort.

**ACHTUNG!** Überschreiten Sie nie die für den Verstärker empfohlene Sicherungsgröße. Ansonsten könnte die Garantie erlöschen und der Verstärker beschädigt werden.

## EINRICHTUNG UND PROBLEMBEHEBUNG

### Systemtest

Nach Abschluss der Installation müssen Sie das System testen. Dadurch stellen Sie einen langen, problemlosen Betrieb sicher. Folgen Sie beim Test Ihres Orion Cobalt-Systems bitte den unten stehenden Schritten.

1. Schritt. Prüfen Sie, ob alle Kabelanschlüsse korrekt und fest sind.
2. Schritt. Stellen Sie den Signalquellen-Lautstärkereger ganz niedrig. Stellen Sie etwaige Tonregler auf die Neutralpositionen. Dazu gehört auch der Loudness-Regler.
3. Schritt. Stellen Sie die Pegelregler des Verstärkers auf die Minimalpositionen.
4. Schritt. Schalten Sie das Autoradio ein. Prüfen Sie, ob die Netz-LED an der Eingangsseite des Verstärkers aufleuchtet. Ist dies nicht der Fall, folgen Sie den Hinweisen in den Abschnitten Stromanschlüsse und Problemlösungen in dieser Anleitung.
5. Schritt. Wenn Sie ein nachgerüstetes Autoradio verwenden, drehen Sie die Pegelregler des Verstärkers etwa eine Vierteldrehung. Steigern Sie langsam die Lautstärke des Autoradios, so dass Sie den Systemsound hören können. Wenn Sie keinen Sound hören oder der Sound verzerrt klingt, schalten Sie das System sofort aus. Folgen Sie den Hinweisen in den Abschnitten Stromanschlüsse und Problemlösungen in dieser Anleitung, um die Installationsprobleme zu lösen.
6. Schritt. Prüfen Sie den Sound für jeden Kanal. Wenn aktive Crossover-Einheiten verwendet werden, prüfen Sie, dass der Sound vom Verstärker korrekt klingt. Bei der Verwendung aktiver Crossover-Einheiten für Mittel- und Hochtöner dürfen keine niedrigeren Crossover-Frequenzen als die empfohlenen verwendet werden. Wenn es Probleme mit der Systemkonfiguration gibt, folgen Sie den Anweisungen im Abschnitt Interne Crossover-Konfiguration, um diese zu beheben.
7. Schritt. Wenn der Sound klar und nicht verzerrt klingt, machen Sie mit den Anweisungen im Abschnitt Systemsound einstellen in dieser Anleitung weiter

### Systemsound einstellen

Nachdem Sie den Betrieb des Systems geprüft haben, stellen Sie den Systemsound ein. Sie tun dies, indem Sie die Pegelregler und die internen Crossover-Einheiten einstellen.

1. Schritt. Stellen Sie den Signalquellen-Lautstärkereger ganz niedrig. Stellen Sie etwaige Tonregler auf die Neutralpositionen. Dazu gehört auch der Loudness-Regler.
2. Schritt. Stellen Sie die Pegelregler des Verstärkers auf die Minimalpositionen.
3. Schritt. Wählen Sie dynamische Musik, die Ihnen gefällt, die Sie gut kennen und die Sie

am häufigsten abspielen werden.

4. Schritt. Drehen Sie den Lautstärkereger des Autoradios auf den höchsten unverzerrten Pegel. Wenn Sie kein Testgerät haben, können Sie annehmen, dass dieser Punkt zwischen  $\frac{3}{4}$  und der Maximallautstärke liegt, je nach Qualität des Autoradios. Prüfen Sie, ob Sie Verzerrungen hören können. Wenn Verzerrungen hörbar sind, senken Sie die Lautstärke des Autoradios, bis der Sound unverzerrt klingt. Lassen Sie den Lautstärkereger während der Systemeinstellung auf diesem Wert.
5. Schritt. Während Sie Ihre gewählte dynamische Musik anhören, drehen Sie den Pegelregler für den Mitteltonbereich höher, bis Sie etwas Verzerrung hören, und senken ihn dann wieder etwas ab, so dass die Verzerrung verschwindet. Je nach System können sich der Mittel- und Hochtönerausgang auf den gleichen Ausgangskanälen befinden.
6. Schritt. Drehen Sie den Pegelregler für den Hochtönerbereich höher, bis Sie etwas Verzerrung hören, und senken ihn dann wieder etwas ab, so dass die Verzerrung verschwindet. Je nach System können sich der Mittel- und Hochtönerausgang auf den gleichen Ausgangskanälen befinden.
7. Schritt. Führen Sie eine Feineinstellung des Pegels zwischen Mittel- und Hochtönern durch. Detaillierte Anweisungen finden Sie im Abschnitt Interne Crossover-Konfiguration in dieser Anleitung.
8. Schritt. Wiederholen Sie Schritte 5-7 für die hinteren Lautsprecher. Wenn Sie keine hinteren Lautsprecher haben, machen Sie mit Schritt 10 weiter.
9. Schritt. Legen Sie die Pegel zwischen den vorderen und hinteren Mittel- und Hochtönern fest, um die optimale Balance zwischen vorn/hinten zu erreichen.
10. Schritt. Drehen Sie den Pegelregler für den Tieftönerbereich höher, bis Sie etwas Verzerrung hören, und senken ihn dann wieder etwas ab, so dass die Verzerrung verschwindet.
11. Schritt. Führen Sie eine Feineinstellung des Pegels zwischen Satellitenlautsprechern und Tieftönern durch. Detaillierte Anweisungen finden Sie im Abschnitt Interne Crossover-Konfiguration in dieser Anleitung.
12. Schritt. Genießen Sie Ihr fantastisches Orion Cobalt-Soundsystem

## Problemlösungen

Symptom	Mögliche Ursache	Lösung
Kein Sound		
	Schwache oder fehlende Fern-einschaltung	Prüfen Sie die Ferneinschaltungsspannung am Spannungsverstärker und stellen Sie diese ggf. richtig ein.
	Sicherung durchgebrannt	Prüfen Sie das Stromkabel und etwaige Kurzschlüsse an Lautsprechern. Reparieren Sie das Kabel ggf. und wechseln Sie die Sicherung aus.
	Stromkabel nicht angeschlossen	Prüfen Sie das Stromkabel und die Erdungsanschlüsse und ersetzen Sie diese ggf.
	Audioeingang nicht angeschlossen	Prüfen Sie die RCA-Verbindungen und reparieren oder ersetzen Sie sie ggf.
	Lautsprecherkabel nicht angeschlossen	Prüfen Sie die Lautsprecherkabel und reparieren oder ersetzen Sie sie ggf.
	Lautsprecher defekt	Prüfen Sie das System mit Lautsprechern, die funktionieren, und reparieren oder ersetzen Sie ggf. die defekten Lautsprecher.
Audiosystem schaltet sich ein und aus		
	Der Überhitzungsschutz wird aktiviert, wenn die Kühlkörpertemperatur 50° C überschreitet.	Vergewissern Sie sich, dass für den Verstärker genügend Lüftung vorhanden ist und verbessern Sie ggf. die Lüftung.
	Lockerer oder schlecht funktionierender Audioeingang	Prüfen Sie die RCA-Verbindungen und reparieren oder ersetzen Sie sie ggf.
	Lockerer Stromanschluss	Prüfen Sie die Stromkabel und die Erdungsanschlüsse und ersetzen Sie diese ggf.
Verzerrter Sound		
	Verstärkerpegel-Empfindlichkeit ist zu hoch und überschreitet die maximale Belastbarkeit.	Verstärkung neu einstellen. Anweisungen hierzu finden Sie im Abschnitt System-sound einstellen in dieser Anleitung.
	Lastimpedanz am Verstärker zu niedrig	Prüfen Sie die Lautsprecherimpedanz. Wenn sie unter 2 Ohm liegt, müssen Sie die Lautsprecher anders anschließen, um eine höhere Impedanz zu erreichen.
	Kurzschluss in Lautsprecherkabeln	Prüfen Sie die Lautsprecherkabel und reparieren oder ersetzen Sie sie ggf.
	Lautsprecher nicht korrekt an Verstärker angeschlossen.	Prüfen Sie die Lautsprecherkabel und reparieren oder ersetzen Sie sie ggf. Detaillierte Anweisungen finden Sie im Abschnitt Lautsprecheranschlüsse in dieser Anleitung.
	Interne Crossover-Einheit nicht richtig eingestellt	Crossover erneut einstellen. Detaillierte Anweisungen finden Sie im Abschnitt Interne Crossover-Konfiguration in dieser Anleitung.
	Lautsprecher defekt	Prüfen Sie das System mit Lautsprechern, die funktionieren, und reparieren oder ersetzen Sie ggf. die defekten Lautsprecher.

Schlechte Basswiedergabe	
Lautsprecher wurden falsch gepolt angeschlossen, was tiefe Frequenzen schwächt	Polung der Lautsprecher prüfen und ggf. ändern.
Schlechte Basswiedergabe	
Crossover falsch eingestellt	Crossovereinheiten neu einstellen. Detaillierte Anweisungen finden Sie im Abschnitt Interne Crossover-Konfiguration in dieser Anleitung.
Lastimpedanz zum Verstärker zu niedrig	Prüfen Sie die Lautsprecherimpedanz. Wenn sie unter 2 Ohm liegt, müssen Sie die Lautsprecher anders anschließen, um eine höhere Impedanz zu erreichen.
Batteriesicherung brennt durch	
Kurzschluss im Kabel oder falsche Verkabelung	Prüfen Sie die Stromkabel und die Erdungsanschlüsse und ersetzen Sie diese ggf.
Sicherung ist kleiner als empfohlen.	Durch Sicherung mit passender Größe ersetzen.
Iststrom überschreitet Sicherungsbelastbarkeit.	Prüfen Sie die Lautsprecherimpedanz. Wenn sie unter 2 Ohm liegt, müssen Sie die Lautsprecher anders anschließen, um eine höhere Impedanz zu erreichen.
Verstärkersicherung brennt durch.	
Sicherung ist kleiner als empfohlen.	Durch Sicherung mit passender Größe ersetzen.
Lastimpedanz zum Verstärker zu niedrig	Prüfen Sie die Lautsprecherimpedanz. Wenn sie unter 2 Ohm liegt, müssen Sie die Lautsprecher anders anschließen, um eine höhere Impedanz zu erreichen.
Lautsprecherausgänge haben Kurzschluss	Prüfen Sie das System mit Lautsprechern, die funktionieren, und reparieren oder ersetzen Sie ggf. die defekten Lautsprecher.
Iststrom überschreitet Sicherungsbelastbarkeit.	Prüfen Sie die Lautsprecherimpedanz. Wenn sie unter 2 Ohm liegt, müssen Sie die Lautsprecher anders anschließen, um eine höhere Impedanz zu erreichen.

# DATEN

<b>Verstärkerbereich</b>	<b>CO3002</b>	<b>CO6002</b>
RMS-Leistung in Watt, 4 Ohm	60 x 2	100 x 2
RMS-Leistung in Watt, 2 Ohm	80 x 2	155 x 2
Verzerrung bei Nennleistung	< 0.5% Gesamtklirrfaktor und Verzerrungen	< 0.7% Gesamtklirrfaktor und Verzerrungen
Frequenzgang	20Hz bis 30kHz +/-0.5dB	20Hz bis 30kHz +/-0.5dB
Lineare Bandbreite	20Hz bis 20kHz ±3dB	20Hz bis 20kHz ±3dB
Dämpfungsfaktor	> 100	> 100
Eingangsempfindlichkeit	175mV - 8V	175mV - 8V
Eingangsimpedanz	> 15kΩ	> 10kΩ
Sicherungstyp	(1) 25 Amp, ATC	(2) 20 Amp, ATC
Abmessungen	5,3 x 20,6 x 20 cm	5,3 x 20,6 x 29 cm
Gewicht	2 kg.	2,9 kg.
<b>Crossover-Bereich</b>		
Tiefpass- und Hochpass-Crossover	Stufenlos verstellbar 2. Stufe	Stufenlos verstellbar 2. Stufe
Crossover-Frequenzbereich	50Hz bis 500Hz	50Hz bis 500Hz

Kontinuierliche 2-Ohm-Last, 20 Hz bis 200 Hz, < 0,1 % Klirrfaktor, Eingangsspannung 13,8 V Gleichstrom.

## LAYOUT DEI PANNELLI TERMINALI

### Pannello d'ingresso (CO3002 figura 1, CO6002 figura 2)

1. **LED di alimentazione** - Quando è acceso indica che l'amplificatore è acceso.
2. **Ingresso di alto livello** - Serve a collegare l'uscita dell'altoparlante proveniente dall'autoradio; rileva automaticamente il segnale audio e accende l'amplificatore quando necessario; lo spegne automaticamente se non c'è segnale per un minuto.
3. **Ingressi RCA** - Accettano il segnale RCA applicato da una sorgente audio, un preamplificatore o un equalizzatore.
4. **Comando guadagno** - È regolabile in continuo da un ingresso di 175 mV a uno di 8 V per ottenere la massima potenza di uscita.
5. **Selettore HPF, FULL o LPF** - Per selezionare il crossover passa-alto, nell'intera gamma o passa-basso.
6. **Comando frequenza passa-basso** - Per regolare la frequenza di taglio del crossover.
7. **Comando frequenza passa-alto** - Per regolare la frequenza di taglio del crossover.
8. **Selettore amplificazione bassi** - Permette di regolare il guadagno con tre incrementi (0 dB, 6 dB e 12dB).
9. **LED di stato** - Segnala eventuali condizioni di guasto dell'amplificatore; inoltre si accende brevemente durante la fase di silenziamento all'accensione.

Vedere lo schema a pagina 3

### Pannello di uscita (CO3002 figura 3, CO6002 figura 4)

1. **Connettori per altoparlante** - Accettano cavi di altoparlante di sezione massima pari a 3,31 mm<sup>2</sup> (12 AWG).
2. **1 fusibile ATC (CO3002) - 2 fusibili ATC (CO6002)** - Proteggono l'amplificatore da eventuali sovracorrenti.
3. **Connettore di alimentazione** - Accetta un cavo di sezione massima pari a 21,1 mm<sup>2</sup> (4 AWG).
4. **Ingresso accensione a distanza (REM)** - Accende l'amplificatore quando si applica un segnale di 12 V+.
5. **Connettore di massa** - Accetta un cavo di sezione massima pari a 21,1 mm<sup>2</sup> (4 AWG).

Vedere lo schema a pagina 4

# SPECIFICHE CEA

CO3002



Uscita di potenza: 60 watt (valore efficace) x 2 a 4 ohm e distorsione armonica totale + rumore (THD+N) < 1%  
Rapporto segnale/rumore: -75 dBA (riferimento: 1 watt su 4 ohm)  
Potenza aggiuntiva: 80 watt (valore efficace) x 2 a 2 ohm e THD+N < 1%

CO6002



Uscita di potenza: 100 watt (valore efficace) x 2 a 4 ohm e THD+N < 1%  
Rapporto segnale/rumore: -75 dBA (riferimento: watt su 4 ohm)  
Potenza aggiuntiva: 155 watt (valore efficace) x 2 a 2 ohm e THD+N < 1%

## CAVI DI LIVELLO ALTO

Non collegare i connettori d'ingresso di livello alto ai cavi di alimentazione o del segnale né alla massa dello chassis in quanto si possono danneggiare le uscite dell'unità di pilotaggio; questi connettori vanno collegati a uscite a livello di altoparlanti BTL o di massa (presenti sulla maggior parte delle unità di pilotaggio).

### CONNETTORI DI LIVELLO ALTO

COLORE DEL CAVO	INPUT CONNECTION
Nero	Massa
Bianco/nero	Canale sinistro -
Bianco	Canale sinistro +
Grigio/nero	Canale destro -
Grigio	Canale destro +

## IMPOSTAZIONI DELL'AMPLIFICATORE

### Configurazione dei segnali d'ingresso e di uscita

La sezione d'ingresso dell'amplificatore consiste di uno sfasatore che imposta la configurazione dell'uscita, di comando del guadagno e degli ingressi RCA, e permette di adattare facilmente l'amplificatore alla maggior parte delle configurazioni dell'impianto.

### Guadagno d'ingresso

Gli amplificatori Orion Cobalt CO3002 e CO6002 sono dotati di un circuito di regolazione del livello che consente di integrarli facilmente con qualsiasi sorgente audio. La sensibilità d'ingresso può essere regolata da 175 mV a 8 V. Consultare le sezioni Prova dell'impianto e Regolazione dell'audio dell'impianto per informazioni dettagliate sulla regolazione del guadagno.

## Crossover interni

La sezione di crossover degli amplificatori Orion Cobalt CO3002 and CO6002 è regolabile in continuo ed è estremamente flessibile.

Quando si usano altoparlanti Orion Cobalt, deviazioni di minore entità dagli intervalli di frequenza suggeriti possono garantire risultati migliori, secondo la disposizione degli altoparlanti e l'acustica del veicolo. Impostando le frequenze di crossover a valori superiori a quelli suggeriti non si causano danni e si possono ottenere risultati acustici migliori secondo le prestazioni desiderate dall'impianto. Consultare il manuale degli altoparlanti per indicazioni sulla scelta delle frequenze di crossover adatte per l'impianto.

## Crossover passa-basso

È un filtro attivo con pendenza del secondo ordine (12 dB a ottava) e frequenza di taglio variabile in continuo da 50 Hz a 500 Hz.

## Crossover passa-alto

Quando il selettore è spostato a sinistra (posizione FULL) il crossover passa-alto è disinserito, mentre è inserito quando il selettore è a destra (posizione HPF). La sua frequenza di taglio è variabile in continuo da 50 Hz a 500 Hz.

# CABLAGGIO DELL'AMPLIFICATORE

## Connessioni di alimentazione per i modelli Orion Cobalt CO3002 e CO6002

- Orion Cobalt CO3002, n. fusibili e portata: 1x 25 ampere ATC / CO6002, n. fusibili e portata: 2 x 20 ampere ATC
- Il connettore di alimentazione accetta un cavo di sezione massima pari a 21,1 mm<sup>2</sup> (4 AWG).
- Per ottenere prestazioni ottimali è raccomandabile adoperare un cavo di alimentazione e uno di massa entrambi di sezione pari a 21,1 mm<sup>2</sup>.
- Collegare il terminale da 12 V+ alla batteria attraverso il quadro fusibili. Questa connessione alimenta l'amplificatore a una tensione di +12 V.
- Il cavo di alimentazione deve essere protetto con un fusibile a una distanza dalla batteria non superiore a 45 cm.
- Mettere a massa l'amplificatore collegandone lo chassis a un punto di massa adeguato e quanto più vicino possibile all'amplificatore stesso.
- Collegare il terminale REM al cavo di accensione a distanza proveniente dalla sorgente audio. Questa connessione fornisce corrente a +12 V per l'accensione dell'amplificatore.
- Inserire un altro cavo di massa tra il terminale negativo della batteria e lo chassis.

## Schema circuitale della connessione con gli altoparlanti - CO3002/CO6002

Gli amplificatori Orion Cobalt CO3002 e CO6002 hanno due terminali di uscita positivi e due negativi per agevolare la connessione degli altoparlanti con l'amplificatore. Ciascun amplificatore è stabile con 2 ohm per canale o 4 ohm nella modalità di cablaggio a ponte.

Vedere lo schema a pagina 6 - 7 (figura 5 , 6)



## Cablaggio triplo

Ai fini del cablaggio triplo, gli altoparlanti ad alta frequenza devono funzionare in modalità stereo e ciascuno di essi deve utilizzare un crossover passivo in linea (condensatore) per bloccare le basse frequenze. L'altoparlante a bassa frequenza monofonico va collegato a ponte ai due canali stereo con un crossover passivo in linea (induttore) per bloccare le alte frequenze. La resistenza degli altoparlanti ad alta frequenza deve essere uguale ad almeno 2 ohm e quella dell'altoparlante a bassa frequenza deve essere uguale ad almeno 4 ohm.

## Cablaggio a ponte

Ai fini del cablaggio a ponte su un carico costituito da un solo altoparlante, entrambi i modelli Orion Cobalt CO3002 e CO6002 permettono di collegare tra di loro i canali anteriori o posteriori. L'impedenza dell'altoparlante deve essere uguale ad almeno 4 ohm.

# INSTALLAZIONE DELL'AMPLIFICATORE

## Scelta del punto di installazione

Il punto in cui collocare l'amplificatore dipende da numerosi fattori importanti. Il profilo ribassato degli amplificatori Orion Cobalt ne permette il fissaggio in molti punti che assicurano prestazioni soddisfacenti. Collocare sempre l'amplificatore in un punto in cui sia protetto dagli elementi climatici e su una superficie stabile e piatta.

**NOTA:** si suggerisce di non fissare gli amplificatori capovolti, in quanto possono subire un arresto termico prematuro.

**ATTENZIONE!** Non collocare mai un amplificatore nel vano motore; gli amplificatori non sono costruiti in modo da resistere alle condizioni avverse presenti in questo ambiente.

## Abitacolo

Se si intende installare l'amplificatore nell'abitacolo, accertarsi che ci sia spazio adeguato per la ventilazione. Gli amplificatori possono essere collocati sotto i sedili. Se si monta un amplificatore sotto un sedile o un'area simile, lasciare una luce di almeno 2,5 centimetri intorno a esso per il raffreddamento.

## Bagagliaio

L'installazione dell'amplificatore nel bagagliaio assicura prestazioni eccellenti se non si ostruisce il flusso dell'aria intorno al dissipatore termico dell'amplificatore. Per ottenere risultati ottimali, lasciare quanto più spazio libero possibile intorno all'amplificatore. Questo tipo di installazione garantisce il raffreddamento più efficace a causa dell'effetto di convezione dello chassis dell'amplificatore.

## Precauzioni generali e suggerimenti per l'installazione

**ATTENZIONE!** Fare attenzione a praticare tagli o fori con il trapano in serbatoi o tubazioni del carburante, tubazioni dell'olio idraulico o di aspirazione oppure cavi elettrici quando si eseguono lavori sul veicolo.

Scollegare il cavo di massa del veicolo dalla batteria prima di collegare cavi ai terminali di alimentazione dell'impianto audio o di scollegarli da tali terminali.

Non usare l'amplificatore senza averlo prima fissato bene, altrimenti si possono causare danni o subire lesioni, particolarmente se accade un incidente. In caso di urto, un amplificatore non fissato può essere proiettato con violenza sui passeggeri. Non collocare mai l'amplificatore in un punto in cui potrebbe bagnarsi; fissarlo in modo che i cavi a cui è collegato non vengano tirati e disporli in modo che non vengano graffiati, compressi o danneggiati in qualunque altra maniera.

Il cavo di alimentazione a +12V deve essere protetto con un fusibile quanto più vicino possibile alla batteria e comunque a una distanza non maggiore di 45 cm. Usare un fusibile o interruttore automatico della portata indicata nella sezione Connessioni di alimentazione per i modelli Orion Cobalt CO500.1 e CO800.1.

Se occorre sostituire il fusibile inserito nel pannello laterale dell'amplificatore, sostituirlo con uno di tipo ATC / MAXI di portata identica a quella del fusibile in dotazione. Se non si è sicuri del valore giusto, vedere la sezione Connessioni di alimentazione per i modelli Orion Cobalt CO500.1 e CO800.1. L'utilizzo di un fusibile di portata più alta può causare danni all'amplificatore non coperti dalla garanzia.

**NOTE:** accertarsi che tutti i componenti dell'impianto siano spenti quando si collegano cavi ai terminali per gli altoparlanti o RCA d'ingresso o li si scollegano da tali terminali. Accendere l'impianto e aumentare lentamente il volume solo dopo aver verificato tutte le connessioni.

Gli impianti con un solo amplificatore possono essere alimentati dalla maggior parte degli impianti elettrici di autoveicoli, mentre quelli con più amplificatori possono richiedere una batteria di capacità maggiore, un alternatore o un condensatore di immagazzinaggio dell'energia elettrica. Per gli impianti stereo più grandi si suggerisce vivamente l'utilizzo di un condensatore di potenza Directed Audio Essentials con una batteria aggiuntiva.

Gli amplificatori Orion Cobalt generano una certa quantità di calore durante il normale funzionamento. Accertarsi che l'area intorno all'amplificatore non sia ostruita, per consentire un'adeguata circolazione dell'aria. Tenere presente che teli da spiaggia, indumenti, libri o cartelle situati sopra l'amplificatore non migliorano il flusso dell'aria e possono danneggiarsi.

## Procedura di installazione

- 1 Determinare l'ubicazione dell'amplificatore; per informazioni dettagliate consultare la sezione Scelta del punto di installazione.
- 2 Stabilire la configurazione dell'impianto in relazione all'amplificatore. Per suggerimenti vedere la sezione Schema circuitale della connessione con gli altoparlanti - CO500.1/CO800.1.
- 3 Disporre tutti i cavi dall'amplificatore agli altoparlanti, alla sorgente audio e alla batteria; non collegare ancora quest'ultima. Accertarsi che i cavi degli altoparlanti, di alimentazione e RCA siano lontani dai cavi dell'impianto e da quelli dell'impianto elettrico del veicolo, dato che possono introdurre facilmente rumore nell'impianto.
- 4 Praticare con un trapano i fori di fissaggio dell'amplificatore, prestando attenzione a evitare serbatoi e tubazioni di alimentazione e altri ostacoli, che possono essere non visibili. Per ottenere risultati ottimali contrassegnare con un marcatore i punti in cui eseguire i fori e impiegare una normale punta da 1/8 di pollice (3,2 mm).
- 5 Fissare l'amplificatore, accertandosi che sia collocato su una superficie piatta. Se ciò non è possibile, non serrare eccessivamente le viti, per evitare di deformare lo chassis dell'amplificatore.
- 6 Girare la chiave di accensione del veicolo sulla posizione Off.
- 7 Scollegare il terminale di massa della batteria del veicolo.

8. Collegare i cavi di alimentazione all'amplificatore (prima quello di massa, poi quelli da 12 V(+) e REM).
9. Collegare i cavi degli altoparlanti e RCA all'amplificatore. Verificare la qualità delle connessioni per il segnale e gli altoparlanti; da queste dipendono in ultima analisi le prestazioni dell'amplificatore Orion Cobalt. Per le istruzioni per il cablaggio consultare le sezioni Configurazione dei segnali d'ingresso e di uscita e Schema circuitale della connessione con gli altoparlanti - CO500.1/CO800.1.
10. Una volta completate le connessioni di alimentazione, degli altoparlanti e RCA, ricollegare il terminale di massa alla batteria.
11. Impostare i crossover; per istruzioni dettagliate consultare la sezione Crossover interni.
12. Una volta verificate tutte le connessioni e le impostazioni, installare il fusibile situato accanto alla batteria del veicolo e passare alla sezione Prova dell'impianto.

**ATTENZIONE!** Non utilizzare mai un fusibile di portata superiore a quella specificata per l'amplificatore. La mancata osservanza di questa precauzione annulla la garanzia e può danneggiare l'amplificatore.

## MESSA A PUNTO E SOLUZIONE DEI PROBLEMI

### Prova dell'impianto

Una volta completata l'installazione occorre provare l'impianto Orion Cobalt, per accertarsi che funzioni senza problemi. Procedere come segue.

1. Accertarsi che tutte le connessioni siano state eseguite correttamente e siano salde.
2. Abbassare al minimo il volume della sorgente audio e portare gli eventuali comandi dei toni – compreso quello della sonorità – sulla posizione di esclusione.
3. Portare i comandi di livello dell'amplificatore sulla posizione di livello minimo.
4. Accendere la sorgente audio e verificare che il LED di alimentazione, situato sul pannello d'ingresso dell'amplificatore, sia acceso; se non lo è, consultare le sezioni Connessioni di alimentazione per i modelli Orion Cobalt CO500.1 e CO800.1 e Soluzione dei problemi.
5. Se si usa una sorgente audio non originale, girare i comandi di livello dell'amplificatore di circa un quarto di giro. Aumentare lentamente il volume della sorgente audio in modo da poter udire l'uscita dell'impianto. Se non si sente niente o l'uscita è distorta, spegnere immediatamente l'impianto e consultare le sezioni Connessioni di alimentazione per i modelli Orion Cobalt CO500.1 e CO800.1 e Soluzione dei problemi per risolvere i problemi di installazione.
6. Accertarsi che l'uscita di ciascun canale sia corretta. Se i crossover attivi sono inseriti, verificare che ciascuna uscita dell'amplificatore sia corretta. Quando si usano crossover attivi con midrange e tweeter, non utilizzare frequenze di crossover più basse di quelle raccomandate. Se l'impianto non è configurato correttamente, consultare la sezione Crossover interni per risolvere il problema.
7. Se il suono è nitido e senza distorsioni, proseguire alla sezione Regolazione dell'audio dell'impianto.

### Regolazione dell'audio dell'impianto

Va eseguita una volta verificato il funzionamento dell'impianto e comporta l'impostazione dei comandi di livello e la regolazione dei crossover interni.

1. Abbassare al minimo il volume della sorgente audio e portare gli eventuali comandi dei toni – compreso quello della sonorità – sulla posizione di esclusione.
2. Portare i comandi di livello dell'amplificatore sulla posizione di livello minimo.
3. Scegliere una musica con elevati contenuti dinamici, con la quale si ha familiarità e che sarà riprodotta spesso.
4. Aumentare il volume della sorgente audio al più alto livello di uscita che non causa distorsioni; se non si dispone di una strumentazione di prova, si raggiunge questo punto fra i 3/4 e il massimo volume, secondo la qualità della sorgente audio. Controllare se ci sono distorsioni udibili e in caso positivo, ridurre il volume della sorgente audio finché l'uscita non è più distorta; lasciare il comando del volume su questa posizione durante la messa a punto dell'impianto.
5. Mentre si ascolta la musica dinamica scelta, aumentare il livello corrispondente all'uscita del midrange finché non si sente una leggera distorsione, quindi girare il comando del livello in modo da non sentirla più. Secondo il tipo di impianto, l'uscita del midrange e quella del tweeter potrebbero essere sugli stessi canali di uscita.
6. Aumentare il livello corrispondente all'uscita del tweeter finché non si sente una leggera distorsione, quindi girare il comando del livello in modo da non sentirla più. Secondo il tipo di impianto, l'uscita del midrange e quella del tweeter potrebbero essere sugli stessi canali di uscita.
7. Regolare con precisione il livello di uscita tra il midrange e i tweeter; per istruzioni dettagliate consultare la sezione Crossover interni.
8. Ripetere le operazioni ai punti 5-7 per gli altoparlanti posteriori; se questi non sono presenti, passare al punto 10.
9. Impostare i livelli tra il midrange e i tweeter anteriori e posteriori in modo da bilanciare l'audio tra la sezione anteriore e quella posteriore.
10. Aumentare il livello corrispondente all'uscita del woofer finché non si sente una leggera distorsione, quindi girare il comando del livello in modo da non sentirla più.
11. Regolare con precisione il livello di uscita tra i satelliti e i woofer; per istruzioni dettagliate consultare la sezione Crossover interni.
12. L'impianto audio Orion Cobalt è così pronto all'uso.

## Soluzione dei problemi

Sintomo	Causa probabile	Intervento necessario
<b>Uscita assente</b>		
	Tensione di accensione a distanza bassa o nulla	Controllare il livello della tensione di accensione a distanza ed eseguire le riparazioni necessarie.
	Fusibile bruciato	Controllare l'integrità del cavo di alimentazione e se ci sono cortocircuiti in corrispondenza degli altoparlanti. Eseguire le riparazioni necessarie e sostituire il fusibile.
	Cavi di alimentazione non collegati	Controllare le connessioni di alimentazione e di massa ed eseguire le riparazioni o sostituzioni necessarie.
	Ingresso audio non collegato	Controllare le connessioni RCA ed eseguire le riparazioni o sostituzioni necessarie.
	Cavi degli altoparlanti non collegati	Controllare i cavi degli altoparlanti ed eseguire le riparazioni o sostituzioni necessarie.
	Altoparlanti guasti	Controllare l'impianto usando altoparlanti in buone condizioni e riparare o sostituire gli altoparlanti se necessario.
<b>L'audio scompare ciclicamente</b>		
	Il circuito di protezione termica si inserisce in quanto la temperatura del dissipatore termico dell'amplificatore supera i 50° C	Accertarsi che la circolazione dell'aria intorno all'amplificatore sia adeguata e se necessario migliorarla.
	Ingresso audio intermittente o scadente	Controllare le connessioni RCA ed eseguire le riparazioni o sostituzioni necessarie.
	Connessioni di alimentazione intermittenti	Controllare le connessioni di alimentazione e di massa ed eseguire le riparazioni o sostituzioni necessarie.
<b>Uscita distorta</b>		
	Sensibilità dell'amplificatore impostata su un livello troppo alto	Regolare il guadagno; per istruzioni dettagliate consultare la sezione Regolazione dell'audio dell'impianto.
	Impedenza di carico dell'amplificatore troppo bassa	Controllare l'impedenza di carico dell'amplificatore; se è minore di 2 ohm, modificare il cablaggio degli altoparlanti in modo da aumentarla.
	Cavi degli altoparlanti in cortocircuito	Controllare i cavi degli altoparlanti ed eseguire le riparazioni o sostituzioni necessarie.
	Altoparlanti collegati all'amplificatore in modo sbagliato.	Controllare i cavi degli altoparlanti ed eseguire le riparazioni o sostituzioni necessarie; per istruzioni dettagliate consultare la sezione Schema circuitale della connessione con gli altoparlanti - CO500.1/CO800.1.
	Crossover interni non impostati correttamente per gli altoparlanti	Reimpostare i crossover; per istruzioni dettagliate consultare la sezione Crossover interni.

Altoparlanti guasti	Controllare l'impianto usando altoparlanti in buone condizioni e riparare o sostituire gli altoparlanti se necessario.
Risposta ai bassi scadente	
Altoparlanti cablati con la polarità sbagliata e quindi cancellazione alle basse frequenze	Controllare la polarità degli altoparlanti e correggerla se necessario.
Crossover impostati in modo sbagliato	Reimpostare i crossover; per istruzioni dettagliate consultare la sezione Crossover interni.
Impedenza di carico dell'amplificatore troppo bassa	Controllare l'impedenza di carico dell'amplificatore; se è minore di 2 ohm, modificare il cablaggio degli altoparlanti in modo da aumentarla.
Fusibile della batteria bruciato	
Cortocircuito nel cavo di alimentazione o cablaggio sbagliato	Controllare le connessioni di alimentazione e di massa ed eseguire le riparazioni o sostituzioni necessarie.
Fusibile di portata minore di quella raccomandata	Sostituirlo con un fusibile della giusta portata.
Corrente effettiva maggiore della portata del fusibile	Controllare l'impedenza di carico dell'amplificatore; se è minore di 2 ohm, modificare il cablaggio degli altoparlanti in modo da aumentarla.
Fusibile dell'amplificatore bruciato	
Fusibile di portata minore di quella raccomandata	Sostituirlo con un fusibile della giusta portata.
Impedenza di carico dell'amplificatore troppo bassa	Controllare l'impedenza di carico dell'amplificatore; se è minore di 2 ohm, modificare il cablaggio degli altoparlanti in modo da aumentarla.
Altoparlante guasto con uscite in cortocircuito	Controllare l'impianto usando altoparlanti in buone condizioni e riparare o sostituire gli altoparlanti se necessario.
Corrente effettiva maggiore della portata del fusibile	Controllare l'impedenza di carico dell'amplificatore; se è minore di 2 ohm, modificare il cablaggio degli altoparlanti in modo da aumentarla.

## DATI TECNICI

<b>Sezione amplificatore</b>	<b>CO3002</b>	<b>CO6002</b>
Uscita di potenza in watt (valore efficace), 4 ohm	60 x 2	100 x 2
Uscita di potenza in watt (valore efficace), 2 ohm	80 x 2	155 x 2
Distorsione alla potenza nominale	< 0.5% THD+N	< 0.7% THD+N
Risposta in frequenza	Da 20Hz a 30kHz +/-0.5dB	Da 20Hz a 30kHz +/-0.5dB
Larghezza di banda lineare	Da 20Hz a 20kHz ±3dB	Da 20Hz a 20kHz ±3dB
Fattore di smorzamento	> 100	> 100
Sensibilità d'ingresso	175mV - 8V	175mV - 8V
Impedenza d'ingresso	> 15kΩ	> 10kΩ
Fusibili	(1) 25 Amp, ATC	(2) 20 Amp, ATC
Dimensioni	5,3 cm x 20,6 cm x 20 cm	5,3 cm x 20,6 cm x 29 cm
Peso	2,04 kg	2,9 kg
<b>Sezione crossover</b>		
Crossover passa-basso e passa-alto	Variabile in continuo/ Secondo ordine	Variabile in continuo/ Secondo ordine
Gamma di frequenze di crossover	50Hz a 500Hz	50Hz a 500Hz

Carico di 2 Ω continuo da 20 Hz a 200 Hz, < 0,1% di distorsione armonica totale, con tensione d'ingresso pari a 13,8 V c.c.

## LAYOUTS DOS PAINÉIS

### Painel de entrada (CO3002 figura 1, CO6002 figura 2)

1. **LED indicador de potência** – Quando aceso, indica que o amplificador está ligado.
2. **Entrada de alto nível** – Conecta a saída de alto-falante do rádio de fábrica ao amplificador. Também detecta automaticamente o sinal do rádio, liga o amplificador quando necessário e o desliga depois de 1 minuto sem receber sinal.
3. **Entradas RCA** – Aceitam entrada RCA de uma unidade de origem, pré-amplificador ou equalizador.
4. **Controle de ganho** – Ajusta continuamente a entrada de 175mV a 8 V para obter saída de potência plena.
5. **Chave HPF, FULL, LPF** – Seleciona o crossover passa-alta, faixa completa ou o crossover passa-baixa.
6. **Controle de frequência passa-baixa** – Ajusta a frequência do crossover.
7. **Controle de frequência passa-alta** – Ajusta a frequência do crossover.
8. **Chave de ampliação de graves** – Ajusta o ganho de graves em três etapas (0 dB, 6 dB e 12 dB).
9. **LED indicador de estado** – Indica qualquer condição de falha no amplificador. Também acende brevemente durante a fase de emudecimento do processo de ativação da unidade.

Consulte o diagrama na página 3

### Painel de saída (CO3002 figura 3, CO6002 figura 4)

1. **Conexões para alto-falantes** – Para cabos para alto-falantes com bitola de até 12 AWG.
2. **1 fusível ATC (CO3002) - 2 fusíveis ATC (CO6002)** – Protegem o amplificador de situações onde há sobrecorrente.
3. **Conexões para alimentação elétrica** – Para cabos de alimentação com bitola de até 4 AWG.
4. **Entrada de ativação remota REM** – Liga o amplificador ao receber um sinal de 12 V+.
5. **Conexão terra** – Para cabo de aterramento com bitola de até 4 AWG.

Consulte o diagrama na página 4



# ESPECIFICAÇÕES DA CEA

CO3002



Potência de saída: 60 Watts RMS x 2 canal a 4 ohms e < 1% THD+N  
Relação sinal a ruído: -75 dBA (referência 1 Watt em 4 ohms)  
Potência adicional: 80 Watts RMS x 2 canais a 2 ohms e < 1% THD+N

CO6002



Potência de saída: 100 Watts RMS x 2 canais a 4 ohms e < 1% THD+N  
Relação sinal a ruído: -75 dBA (referência 1 Watt em 4 ohms)  
Potência adicional: 155 Watts RMS x 2 a 2 ohms e < 1% THD+N

## LIGAÇÕES DE ALTO NÍVEL

Não conecte as conexões de entrada de alto nível à alimentação elétrica, sinais ou terra do chassi, pois isso poderá causar dano nas saídas da unidade principal. As entradas de alto nível foram projetadas para funcionar com saídas para alto-falante aterradas ou BTL (disponíveis na maioria das unidades principais).

### CONEXÕES DE ALTO NÍVEL

COR DO CABO	CONEXÃO DE ENTRADA
Preto	Terra
Branco/Preto	Canal esquerdo -
Branco	Canal esquerdo +
Cinza/Preto	Canal direito -
Cinza	Canal direito +

## AJUSTES DO AMPLIFICADOR

### Configurações de entrada e saída dos sinais

A seção de entrada do amplificador consiste em uma chave de seleção de fase que determina a configuração da saída, os controles de ganho e as entradas RCA. A seção de entrada facilita a adaptação do amplificador à maioria das configurações do sistema.

### Ganho de entrada

Os amplificadores Orion Cobalt CO3002 e CO6002 têm ajustes de nível que permitem sua fácil integração com qualquer unidade de origem de sinais. A sensibilidade da entrada pode ser ajustada de 175 mV a 8 V. Consulte as seções Como testar o sistema e Como ajustar o som do sistema deste manual para obter instruções detalhadas sobre como configurar o ganho.

## Crossover interno

A seção do crossover dos amplificadores Orion Cobalt CO3002 e CO6002 é continuamente variável e extremamente flexível.

Ao usar alto-falantes Orion Cobalt, pequenos desvios das faixas de frequência recomendadas podem proporcionar resultados superiores, dependendo das posições dos alto-falantes e da acústica do veículo. Ajustar as frequências de crossover acima da faixa recomendada não causará danos e pode proporcionar resultados sonoros superiores, dependendo das metas de desempenho do sistema. Consulte o manual do alto-falante para obter ajuda para escolher as frequências de crossover corretas para seu sistema.

## Crossover passa-baixa

O crossover passa-baixa é ativo com uma curva de 2ª ordem (12 dB por oitava). O crossover passa-baixa é continuamente variável de 50 Hz a 500 Hz.

## Crossover passa-alta

Quando a chave está à esquerda (posição FULL), o crossover passa-alta é ignorado. Quando a chave está à direita (posição HPF), o crossover passa-alta está ativo. O crossover passa-alta é continuamente variável de 50 Hz a 500 Hz.

# CONEXÃO DOS CABOS DO AMPLIFICADOR

## Conexões elétricas do Orion Cobalt CO3002 e CO6002

- Tamanho dos fusíveis do Orion Cobalt CO3002: 1 x ATC de 25 A / Tamanho do fusível do CO6002: 2 x ATC de 20 A
- As conexões de alimentação elétrica podem ser feitas com cabos de bitola máxima de 4 AWG.
- Recomendamos cabos de alimentação e aterramento de 4 AWG para maximizar o desempenho.
- Conecte 12 V+ à bateria através da unidade de retenção dos fusíveis. Esta conexão fornece uma alimentação de +12 V ao amplificador.
- O cabo de alimentação deve ser conectado a um fusível a não mais de 45 cm de distância da bateria.
- Aterre o amplificador a uma boa conexão terra no chassi o mais próximo possível do amplificador.
- Conecte o terminal REM ao terminal de ativação remota da unidade principal. Esta conexão fornece uma corrente de +12 V para ligar o amplificador.
- Adicione cabo de aterramento adicional entre o terminal negativo da bateria e o chassi.

## Esquema de conexão dos alto-falantes ao CO3002/CO6002

Os amplificadores Orion Cobalt CO3002 e CO6002 têm dois terminais de saída positivos e dois negativos para facilitar a conexão dos alto-falantes ao amplificador. Cada amplificador é estável a 2 Ω por canal ou 4 Ω por par de canais ligados em ponte.

Consulte o diagrama nas páginas 6 - 7 (figura 5 , 6)

## Modo tripla

Para conexão no modo tripla, os alto-falantes de alta frequência devem ser ligados em estéreo e usar um crossover em linha passivo (capacitor) individual para eliminar a baixa frequência.

O alto-falante monaural de baixa frequência deve ser conectado no modo de ponte aos dois canais estéreo com um crossover passivo em linha (indutor) para remover as altas frequências. Os alto-falantes de alta frequência não devem ser de menos de 2 ohms e o alto-falante de baixa frequência não deve ser de menos de 4 ohms.

## Ligação em ponte

Para ligação em ponte a uma única carga de alto-falante, o Orion Cobalt CO3002 e CO6002 têm capacidade de ligar em ponte os canais frontal e traseiro. A impedância do alto-falante não deve ser inferior a 4 ohms

# INSTALAÇÃO DO AMPLIFICADOR

## Escolha de locais de instalação

A localização do amplificador dependerá de vários fatores importantes. Devido ao baixo perfil dos amplificadores Orion Cobalt, existem muitos locais de instalação possíveis que produzirão desempenho de amplificação satisfatório. Sempre instale o amplificador em um local protegido. O amplificador também deve ser instalado em uma superfície plana e estável.

**NOTA:** Não recomendamos instalar os amplificadores de ponta-cabeça, pois isso pode resultar em desligamento prematuro devido ao sobreaquecimento.

**ATENÇÃO!** Não instale o amplificador no compartimento do motor. Os amplificadores não foram projetados para suportar o ambiente inóspito das condições ambientais externas.

## Cabine de passageiros

Para instalar o amplificador na cabine de passageiros, certifique-se de que tenha ventilação adequada. Os amplificadores foram projetados para permitir que sejam instalados embaixo dos assentos. Ao instalar o amplificador embaixo de um assento ou área semelhante, mantenha um espaço mínimo de 2,5 cm ao redor do amplificador para permitir que haja ventilação adequada.

## Porta-malas

A instalação do amplificador no porta-malas produz excelente desempenho, desde que o fluxo de ar ao redor do trocador de calor do amplificador não seja limitado. Para obter ótimos resultados, instale o amplificador com o máximo possível de espaço livre ao redor. Esse tipo de instalação produzirá melhor resfriamento da unidade devido ao efeito de convecção do chassi do amplificador.

## Precauções gerais e sugestões de instalação

**ATENÇÃO!** Cuidado para não cortar nem perfurar tanques ou mangueiras de combustível, mangueiras de fluidos de freio, tubos de ventilação ou fiações elétricas ao trabalhar no veículo.

Desconecte o fio terra da bateria do veículo antes de fazer ou desfazer conexões aos terminais de alimentação elétrica do sistema de áudio.

Não use este amplificador sem que esteja firmemente instalado, pois poderá causar danos materiais ou pessoais, especialmente em caso de acidente. Um amplificador não instalado firmemente transforma-se em um projétil perigoso durante uma colisão. Não instale o amplificador onde

possa ser molhado. Instale o amplificador de maneira a impedir que os cabos de conexão possam ser puxados. Passe os cabos por locais onde não possam ser raspados, esmagados ou danificados de qualquer maneira.

O cabo de alimentação de +12 V deve ser conectado ao fusível o mais próximo possível do terminal da bateria. A distância ideal é de, no máximo, 45 cm. Use um fusível ou disjuntor do tamanho recomendado na seção Conexões elétricas deste manual.

Se for necessário trocar o fusível conectado ao lado do amplificador, troque-o por um fusível ATC / MAXI do mesmo tamanho que o fornecido com o amplificador. Se não tiver certeza quanto ao valor correto, consulte os detalhes na seção Conexões elétricas deste manual. Usar um fusível para corrente mais alta pode resultar em dano ao amplificador não coberto pela garantia.

**NOTA:** Certifique-se de que todos os equipamentos do sistema estejam desligados ao fazer ou desfazer conexões aos terminais de entrada RCA ou do alto-falante. Ligue o sistema e aumente o volume aos poucos só depois de confirmar que todos os cabos estão conectados corretamente.

A maioria dos sistemas elétricos de automóveis tem capacidade para fornecer a alimentação elétrica necessária para sistemas com um único amplificador. Sistemas com mais de um amplificador podem exigir uma bateria com maior capacidade, um alternador ou um capacitor de armazenamento. Para sistemas estéreo maiores, recomendamos enfaticamente o uso de um capacitor de potência da Directed Audio Essentials com uma bateria adicional.

Os amplificadores Orion Cobalt geram uma certa quantidade de calor durante o funcionamento normal. Certifique-se de que a área ao redor do amplificador esteja livre de obstruções para permitir que o ar circule de maneira adequada. Não se esqueça de que artigos como toalhas de praia, roupas, livros e tarefas escolares colocados em cima do amplificador não melhoram o fluxo de ar e podem ser danificados.

## Instalação passo a passo

- Etapa 1 Determine o local de instalação do amplificador. Consulte as informações detalhadas na seção Escolha de locais de instalação deste manual.
- Etapa 2 Decida qual configuração de sistema deseja usar para o amplificador. Consulte as sugestões de sistemas na seção Conexões para alto-falantes deste manual.
- Etapa 3 Posicione todos os cabos do amplificador até os alto-falantes, unidade de origem do sinal e bateria. Não conecte a bateria por enquanto. Mantenha os cabos RCA, os cabos de alimentação e para alto-falantes afastados do sistema e dos cabos elétricos instalados pela montadora do veículo, pois têm grande potencial para induzir ruído no sistema.
- Etapa 4 Perfure os orifícios de instalação do amplificador. "Pense antes de furar". Tanques de combustível e mangueiras de combustível, e outros obstáculos, podem não estar imediatamente visíveis. Para obter o melhor resultado possível, use uma caneta para marcar os orifícios de instalação e perfure-os usando uma broca padrão de 1/8" (3 mm).
- Etapa 5 Instale o amplificador. O amplificador deve ser instalado em uma superfície plana. Se isso não for possível, não aperte demasiadamente os parafusos para não deformar o chassi do amplificador.
- Etapa 6 Desligue a chave de ignição do veículo.
- Etapa 7 Desconecte o terminal terra da bateria do veículo.
- Etapa 8 Conecte os cabos de alimentação ao amplificador (primeiro o terra, depois o 12 V (+) e o REM).
- Etapa 9 Conecte os cabos RCA e dos alto-falantes ao amplificador. Verifique a qualidade das conexões dos alto-falantes e do sinal. Isso determinará o tipo de desempenho

que o amplificador Orion Cobalt terá. Consulte as instruções de conexão nas seções Configurações de entrada e saída dos sinais e Conexões para alto-falantes deste manual.

Etapa 10 Reconecte o terminal terra à bateria depois de completar as conexões da alimentação elétrica, alto-falantes e RCA.

Etapa 11 Ajuste os crossovers. Consulte as instruções detalhadas na seção Crossover interno deste manual.

Etapa 12 Quando estiver certo de que todas as conexões e ajustes estão corretos, instale o fusível localizado próximo da bateria do veículo e leia a seção Como testar o sistema deste manual.

**ATENÇÃO!** Nunca exceda o tamanho do fusível recomendado para este amplificador, pois isso poderá resultar no cancelamento da garantia e em possíveis danos ao amplificador.

## INSTALAÇÃO E RESOLUÇÃO DE PROBLEMAS

### Como testar o sistema

O sistema precisa ser testado após a conclusão da instalação. Isso ajudará a garantir muitos anos de funcionamento sem problemas. Consulte as etapas descritas abaixo ao testar o som do sistema Orion Cobalt.

- Etapa 1. Verifique todas as conexões dos cabos para confirmar se estão corretas e firmes.
- Etapa 2. Abaixe ao máximo o volume da origem do sinal. Coloque todos os controles de tons em suas posições neutras ou desativadas, incluindo o controle da intensidade sonora.
- Etapa 3. Coloque os controles do nível do amplificador em suas posições mais baixas.
- Etapa 4. Ligue a unidade de origem do sinal. Verifique se o LED indicador de potência localizado no lado das conexões do amplificador está aceso. Se não estiver, consulte as instruções fornecidas nas seções Conexões elétricas e Sugestões para resolução de problemas deste manual.
- Etapa 5. Se a unidade de origem do sinal não for original de fábrica, gire os controles de nível do amplificador cerca de um quarto de volta. Aumente aos poucos o nível do volume da unidade de origem do sinal até conseguir ouvir o som no sistema. Se não ouvir som algum ou se o som estiver distorcido, desligue imediatamente o sistema. Consulte as seções Conexões elétricas e Sugestões para resolução de problemas deste manual para resolver problemas de instalação.
- Etapa 6. Verifique se a saída de cada canal está correta. Se crossovers ativos forem usados, verifique se cada saída do amplificador está correta. Ao usar crossovers ativos em alto-falantes de frequência média e tweeters, não use frequências de crossover mais baixas que as recomendadas. Se o sistema não estiver configurado corretamente, consulte a seção Crossover interno deste manual e implemente as medidas corretivas.
- Etapa 7. Se o som estiver claro e sem distorções, continue até a seção Como ajustar o som do sistema deste manual.

### Como ajustar o som do sistema

Depois de verificar o funcionamento do sistema, ajuste o som. Para ajustar o som do sistema, basta ajustar os controles de níveis e os crossovers internos.

- Etapa 1 Abaixe ao máximo o volume da origem do sinal. Coloque todos os controles de tons em suas posições neutras ou desativadas, incluindo o controle da intensidade

sonora.

- Etapa 2 Coloque os controles do nível do amplificador em suas posições mais baixas.
- Etapa 3 Escolha músicas que você conheça e goste, que tenham bastante variedade tonal, e que seja do tipo que será ouvido com mais frequência no sistema.
- Etapa 4 Aumente o volume da unidade de origem do sinal até o nível de reprodução mais elevado que não apresente distorção. Caso não tenha equipamentos de teste, este ponto se situa a cerca de 3/4 do volume máximo, dependendo da qualidade da unidade de origem do sinal. Tente detectar a presença de distorção acústica. Se ouvir alguma distorção, abaixe o volume da unidade de origem do sinal até o som deixar de apresentar distorção. Deixe o controle do volume nessa posição durante o ajuste do sistema.
- Etapa 5 Enquanto ouve a música dinâmica escolhida, aumente o volume correspondente aos sons da faixa média de frequências até ouvir uma leve distorção. Abaixar um pouco o volume para obter uma reprodução sem distorção. Dependendo do sistema, os sons produzidos pelos alto-falantes que reproduzem as frequências médias e pelo tweeter podem estar nos mesmos canais de saída.
- Etapa 6 Aumente o controle do volume de som do tweeter até ouvir uma leve distorção e, em seguida, abaixe um pouco o volume para obter uma reprodução sem distorção. Dependendo do sistema, os sons produzidos pelos alto-falantes que reproduzem as frequências médias e pelo tweeter podem estar nos mesmos canais de saída.
- Etapa 7 Faça o ajuste fino do nível de reprodução dos alto-falantes de frequência média e dos tweeters. Consulte as instruções detalhadas na seção Crossover interno deste manual.
- Etapa 8 Repita as etapas 5 a 7 para os alto-falantes traseiros. Caso não tenha alto-falantes traseiros, avance para a etapa 10.
- Etapa 9 Ajuste os níveis de reprodução dos alto-falantes de frequência média e os tweeters frontais e traseiros para obter o equilíbrio perfeito do som.
- Etapa 10 Aumente o controle do volume de som do woofer até ouvir uma leve distorção e, em seguida, abaixe um pouco o volume para obter uma reprodução sem distorção.
- Etapa 11 Faça o ajuste fino do nível de saída entre os alto-falantes satélite e os woofers. Consulte as instruções detalhadas na seção Crossover interno deste manual.
- Etapa 12 Desfrute de seu incrível sistema de som Orion Cobalt

## Sugestões para resolução de problemas

<b>Problema</b>	<b>Provável causa</b>	<b>Medida a ser tomada</b>
<b>Nenhum som</b>		
	Acionamento remoto baixo ou inexistente	Verifique a tensão do acionamento remoto no amplificador e repare conforme necessário.
	Fusível queimado	Verifique a integridade do cabo de alimentação e se há algum curto-circuito nos alto-falantes. Repare o que for necessário e troque o fusível.
	Cabo de alimentação desconectado	Verifique as conexões do cabo de alimentação e do terra e repare ou troque o que for necessário.
	Entrada de áudio não conectada.	Verifique as conexões RCA e repare ou troque o que for necessário.
	Cabos dos alto-falantes desconectados	Verifique os cabos dos alto-falantes e repare ou troque o que for necessário.
	Alto-falante danificado	Verifique o sistema usando um alto-falante que funcione e, se necessário, repare ou troque os alto-falantes com problema
<b>Áudio intermitente</b>		
	A proteção térmica é ativada quando a temperatura do trocador de calor ultrapassa 50° C	Certifique-se de que haja ventilação apropriada para o amplificador e, se necessário, melhore a ventilação.
	Entrada de áudio solta ou de má qualidade	Verifique as conexões RCA e repare ou troque o que for necessário.
	Conexões da alimentação elétrica soltas	Verifique as conexões do cabo de alimentação e do terra e repare ou troque o que for necessário.
<b>Som distorcido</b>		
	O nível de sensibilidade do amplificador está muito alto e excede a capacidade máxima do amplificador	Reajuste o ganho. Consulte as informações detalhadas na seção Como ajustar o som do sistema deste manual.
	Carga de impedância ao amplificador muito baixa	Verifique a carga de impedância dos alto-falantes. Se estiver abaixo de 2 Ω, reconecte os alto-falantes para obter impedância mais alta.
	Cabos dos alto-falantes em curto	Verifique os cabos dos alto-falantes e repare ou troque o que for necessário.
	Alto-falantes não conectados corretamente ao amplificador.	Verifique os cabos dos alto-falantes e repare ou troque o que for necessário. Consulte as instruções detalhadas na seção Conexões para alto-falantes deste manual.
	Crossover interno não ajustado corretamente para os alto-falantes	Reajuste os crossovers. Consulte as instruções detalhadas na seção Crossover interno deste manual.

Alto-falantes danificados	Verifique o sistema usando alto-falantes que funcionem e, se necessário, repare ou troque os alto-falantes com problema.
Reprodução de graves de baixa qualidade	
Alto-falantes conectados com polaridade incorreta, causando cancelamento em baixas frequências	Verifique a polaridade dos alto-falantes e repare o que for necessário.
Crossovers ajustados incorretamente	Reajuste os crossovers. Consulte as instruções detalhadas na seção Crossover interno deste manual.
Carga de impedância muito baixa no amplificador.	Verifique a carga de impedância dos alto-falantes. Se estiver abaixo de $2 \Omega$ , reconecte os alto-falantes para obter impedância mais alta. .
O fusível da bateria se queima	
Curto-circuito no cabo de alimentação ou conexão incorreta dos cabos.	Verifique as conexões do cabo de alimentação e do terra e repare ou troque o que for necessário.
O fusível usado é menor do que o recomendado.	Troque-o por um fusível do tamanho correto.
A corrente é maior que a capacidade do fusível.	Verifique a carga de impedância dos alto-falantes. Se estiver abaixo de $2 \Omega$ , reconecte os alto-falantes para obter impedância mais alta.
O fusível do amplificador se queima.	
O fusível usado é menor do que o recomendado.	Troque-o por um fusível do tamanho correto.
Carga de impedância muito baixa no amplificador.	Verifique a carga de impedância dos alto-falantes. Se estiver abaixo de $2 \Omega$ , reconecte os alto-falantes para obter impedância mais alta.
O alto-falante queima com saídas em curto	Verifique o sistema usando alto-falantes que funcionem e, se necessário, repare ou troque os alto-falantes com problema.
A corrente é maior que a capacidade do fusível.	Verifique a carga de impedância dos alto-falantes. Se estiver abaixo de $2 \Omega$ , reconecte os alto-falantes para obter impedância mais alta.



# ESPECIFICAÇÕES

Seção do amplificador	CO3002	CO6002
Potência de saída em Watts RMS, 4 Ohms	60 x 2	100 x 2
Potência de saída em Watts RMS, 2 Ohms	80 x 2	155 x 2
Distorção no nível de potência nominal	< 0.5% THD+N	< 0.7% THD+N
Resposta de frequência	20Hz a 30kHz +/-0.5dB	20Hz a 30kHz +/-0.5dB
Largura de banda linear	20Hz a 20kHz ±3dB	20Hz a 20kHz ±3dB
Fator de amortecimento	> 100	> 100
Sensibilidade de entrada	175mV - 8V	175mV - 8V
Impedância de entrada	> 15kΩ	> 10kΩ
Tipo de fusível	(1) ATC de 25 A	(2) ATC de 20 A
Dimensões	5,3 cm x 20,6 cm x 20 cm	5,3 cm x 20,6 cm x 29 cm
Peso	2 kg	2.9 kg
<b>Seção do crossover</b>		
Crossover passa-baixa e passa-alta	Continuamente variável/ Segunda ordem	Continuamente variável/ Segunda ordem
Faixa de frequência do crossover	50Hz a 500Hz	50Hz a 500Hz

Carga contínua de 2Ω, 20 Hz a 200 Hz, < 0,1% THD, com tensão de entrada a 13,8 VCC.

# WARRANTY



LIMITED ONE-YEAR CONSUMER WARRANTY/\*LIMITED TWO-YEAR CONSUMER WARRANTY FOR AUTHORIZED DIRECTED DEALER PURCHASE & INSTALLATION

Directed Electronics (herein "Directed") promises to the original purchaser of the subwoofer or amplifier, as applicable (herein "Unit" or "Product"), to repair or replace with a new or refurbished Unit (at Directed's sole and absolute discretion) should the Unit prove to be defective in workmanship or material under normal use, for a period of \*two-years from the date of purchase from the authorized Directed dealer PROVIDED the Unit was purchased and installed by an authorized Directed dealer. During this \*two-year period, there will be no charge for the repair or replacement PROVIDED the Unit is returned to Directed (DO NOT RETURN THE ENTIRE ENCLOSURE. PLEASE RETURN THE WARRANTIED UNIT ONLY), shipping prepaid, along with the required proof of installation, the bill of sale or other dated proof of purchase, and the consumer's contact information. If the Unit is installed by anyone other than an authorized Directed dealer, the warranty period will be one-year from the date of purchase. This warranty is non-transferable and does not apply to any Unit that has been modified or used in a manner contrary to its intended purpose, and does not cover damage to the Unit caused by installation or removal of the Unit. During this one-year period, there will be no charge for the repair or replacement PROVIDED the Unit is returned to Directed, shipping pre-paid, along with the bill of sale or other dated proof of purchase and the consumer's contact information. This warranty is void if the product has been damaged by accident or unreasonable use, neglect, improper service or other causes not arising out of defects in materials or construction. This warranty does not cover the elimination of externally generated static or noise, or the correction of antenna problems or weak reception, damage to speakers, accessories, electrical systems, cosmetic damage or damage due to negligence, misuse, failure to follow operating instructions, accidental spills or customer applied cleaners, damage due to environmental causes such as floods, airborne fallout, chemicals, salt, hail, lightning or extreme temperatures, damage due to accidents, road hazards, fire, theft, loss or vandalism, damage due to improper connection to equipment of another manufacturer, modification of existing equipment, or Product which has been opened or tampered for any reason. Units which are found to be damaged by abuse resulting in thermally damaged voice coils are not covered by this warranty but may be replaced at the absolute and sole discretion of Directed. Unit must be returned to Directed (DO NOT RETURN THE ENTIRE ENCLOSURE. THE UNIT ENCLOSURE IS COVERED BY A SEPARATE 90-DAY LIMITED CONSUMER WARRANTY. PLEASE ONLY RETURN THE WARRANTIED UNIT UNLESS A WARRANTY CLAIM IS BEING MADE FOR THE ENCLOSURE.), postage pre-paid, with bill of sale or other dated proof of purchase bearing the following information: consumer's name, telephone number, and address, authorized dealer's name and address, and product description. Unit must be returned to the following address: ATTN: WARRANTY DEPARTMENT, Directed Electronics, 1 Viper Way, Vista, CA 92081. Note: This warranty does not cover labor costs for the removal and/or reinstallation of the Unit. IN ORDER FOR THE TWO-YEAR WARRANTY TO BE VALID, YOUR UNIT MUST BE SHIPPED WITH PROOF OF INSTALLATION BY AN AUTHORIZED DIRECTED DEALER. ALL UNITS RECEIVED BY DIRECTED FOR WARRANTY REPAIR WITHOUT PROOF OF DIRECTED DEALER INSTALLATION AND PURCHASE WILL BE COVERED BY THE LIMITED 1 YEAR WARRANTY.

BY PURCHASING THIS PRODUCT, ALL WARRANTIES INCLUDING BUT NOT LIMITED TO EXPRESS WARRANTY, IMPLIED WARRANTY, WARRANTY OF MERCHANTABILITY, FITNESS FOR PARTICULAR PURPOSE, AND WARRANTY OF NON-INFRINGEMENT OF INTELLECTUAL PROPERTY ARE EXPRESSLY EXCLUDED TO THE MAXIMUM EXTENT ALLOWED BY LAW, AND DIRECTED NEITHER ASSUMES NOR AUTHORIZES ANY PERSON TO ASSUME FOR IT ANY LIABILITY IN CONNECTION WITH THE SALE OF THE PRODUCT. DIRECTED HAS ABSOLUTELY NO LIABILITY FOR ANY AND ALL ACTS OF THIRD PARTIES INCLUDING ITS AUTHORIZED DEALERS OR INSTALLERS. IN NO EVENT WILL DIRECTED BE LIABLE FOR ANY INCIDENTAL, SPECIAL OR CONSEQUENTIAL DAMAGES (INCLUDING LOSS OF PROFITS). BY PURCHASING THIS PRODUCT, THE CONSUMER AGREES AND CONSENTS THAT ALL DISPUTES BETWEEN THE CONSUMER AND DIRECTED SHALL BE RESOLVED IN ACCORDANCE WITH CALIFORNIA LAWS IN SAN DIEGO COUNTY, CALIFORNIA. This warranty is only valid for sale of Product within the United States of America. Product sold outside of the United States of America is sold "AS-IS," and shall have NO WARRANTY, express or implied. Some states do not allow limitation on how long an implied warranty lasts. In such states, the limitation or exclusions of this Limited Warranty may not apply. Some states do not allow the exclusion or limitation of incidental or consequential damages. In such states, the exclusion or limitation of this Limited Warranty may not apply to you. This Limited Warranty gives you specific legal rights, and you may have other rights which vary from state to state. 920-0033 04-07

For more information on Orion products please visit [www.orioncaraudio.com](http://www.orioncaraudio.com)



**Directed Electronics is committed to delivering world class quality products and services that excite and delight our customers.**

Directed Electronics is an ISO 9001 registered company.

*distributed by*  
**Directed**  
ELECTRONICS  
Vista, CA 92081  
**DIRECTED.COM**